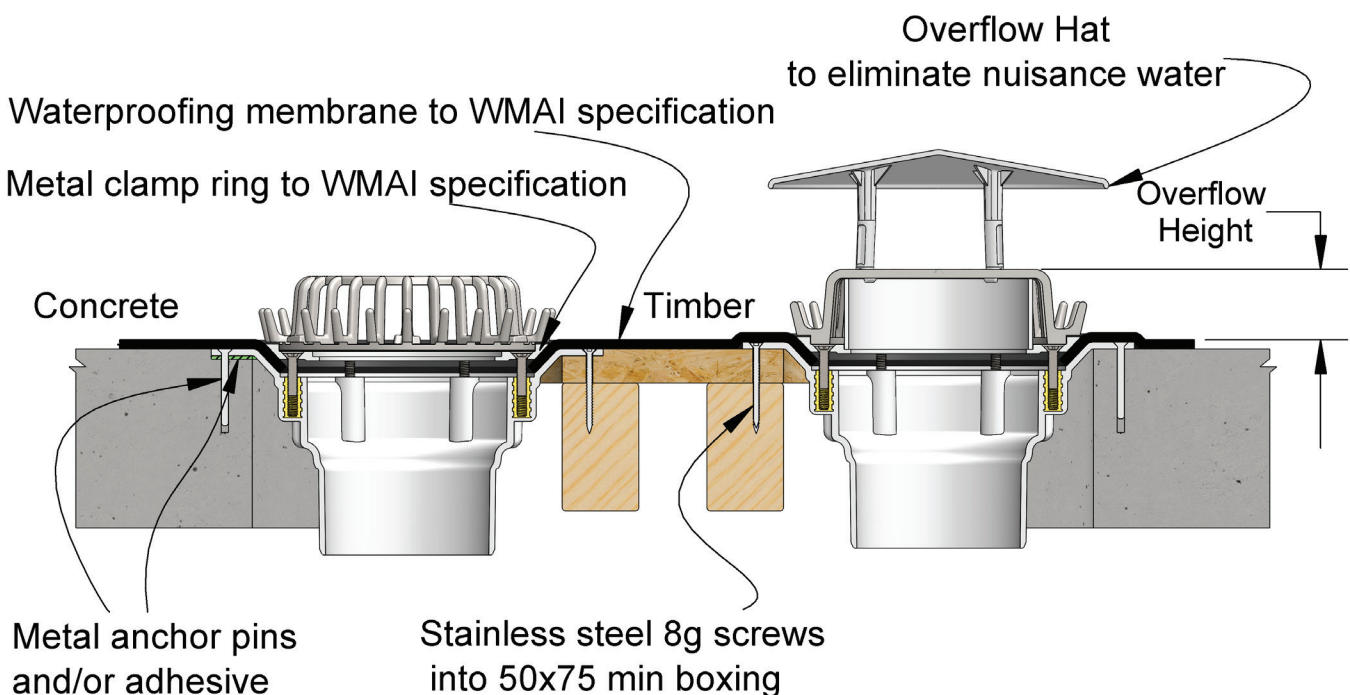


## INSTALLATION INSTRUCTIONS FOR

# Aquaknight Membrane Clamping Roof/ Deck/Interbalcony Drainage systems

## DRAIN REBATED INTO SUBSTRATE

## OVERFLOW MOUNTED ONTO SUBSTRATE



ALL AQUAKNIGHT MEMBRANE CLAMPING ROOF OUTLETS ARE SUPPLIED  
CONFIGURABLE AS EITHER A DRAIN, OR AN OVERFLOW

### DRAIN CONFIGURATION

1. Rebate the substrate to ensure the flange sits at least 1mm below the substrate level.
2. The rebated area must be even, smooth, and free of debris.
3. Place the Aquaknight outlet flange into the rebated hole.
4. Pre-drill and install stainless steel screws into the substrate to secure the flange.

### OVERFLOW CONFIGURATION

1. Place the Aquaknight outlet flange into the substrate (do not rebate substrate)..
2. Pre-drill and install stainless steel screws into the substrate to secure the flange.

## FOR SINGLE PLY

1. Install the blue dust-cap by lining up the prongs on the underside, into the brass nuts.
2. Apply adhesive over the flange and substrate.
3. Apply the adhesive to the membrane.
4. Once this has tacked off, lay down the single ply membrane.
5. Using a heavy roller, apply pressure to the flange area.
6. Locate the dropper and using the seem roller, mark the edge of the outlet.
7. Roll the immediate area so all bubbles and air pockets are removed.
8. With the rounded handle mark the inside edge where the blue dust cap meets the flange. This will act as a guide for cutting the membrane.
9. Carefully cut to the inner mark, which we will form into the outlet.
10. Remove the blue dust cap.
11. Heat the single-ply membrane. With a seam roller apply pressure and heat to form the TPO into the dropper.
12. Check the edges with the seam probe.
13. Heat and penny-roll any loose edges.
14. Apply cut edge sealant if any suspect areas remain.
15. Place the clamp ring over the pre-tapped holes, installing the stainless-steel screws to finger tight.
16. Set the battery drill to a low torque setting, tightening the screws in a wheel-nut pattern.
17. We recommend final torque be applied with a hand-held screwdriver.

## FOR TORCH-ON

1. Apply a solvent bitumen primer to the outlet flange area.
2. Apply bitumen primer to the remaining substrate. This may be an acrylic bitumen.
3. Allow the primer to dry.
4. Lay down the base sheet membrane (first layer)
5. Locate the outlet and cut around the inside of the flange (where the blue dust cap meets the flange). Heat the edges if required.
6. Apply the cap sheet membrane (second layer) onto the base sheet.
7. Locate the Aquaknight drain again.
8. Cut the membrane from the centre to the inside edge of the base sheet.
9. Repeat this for the other half, then at right angle to form four flaps.
10. From the edge of the flange measure 30mm and cut a concentric circle to the four flaps.
11. Now star cut the four quadrants from the edge of the flange toward the centre.
12. Pull the small flaps up and remove the blue dust cover.
13. Ensure the edge of the membrane is well adhered to the base layer.
14. Place the dust cover back into the outlet.
15. Seal the membrane fingers into the Aquaknight outlet.
16. Allow to cool then trim any longer fingers.
17. Remove the dust cover and check the cut fingers are sealed to the Aquaknight drain.
18. Remove the clamp ring screws.
19. Place the clamp ring over the pre-tapped holes, installing the stainless-steel screws to finger tight.

## FOR ROOF AND DECK DRAIN CONFIGURATION

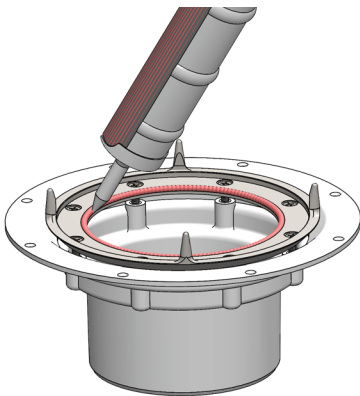
1. Place the drain grate into the clamp ring and twist until the bayonet fitting locks into place.

## FOR INTERBALCONY CONFIGURATION

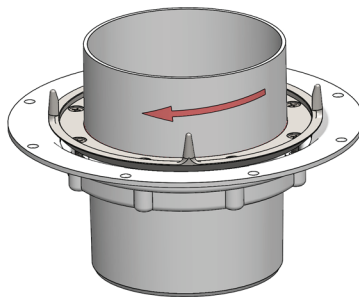
1. Install the down-pipe coupler.

## FOR ROOF OVERFLOW CONFIGURATION

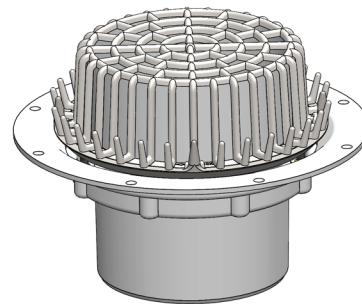
1. Install the overflow ring into the clamp ring recess (add sealant to recess).
2. Place the drain grate into the clamp ring and twist until the bayonet fitting locks into place.
3. Sealing the underside of the Clamp-ring screws is required sometimes, but not in all cases.



Apply sealant to Camp Ring  
Overflow recess



Twist in  
Overflow Insert



Install Grate



### AQUAKNIGHT INDUSTRIES LTD

Address: 311 Rosebank Road, Avondale, Auckland 1026, New Zealand

Phone: +64 9 832 2214 | [sales@aquaknight.co.nz](mailto:sales@aquaknight.co.nz) | [www.aquaknight.co.nz](http://www.aquaknight.co.nz)

© Aquaknight Industries Ltd 2024