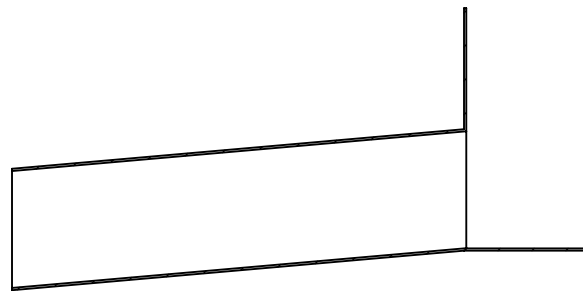
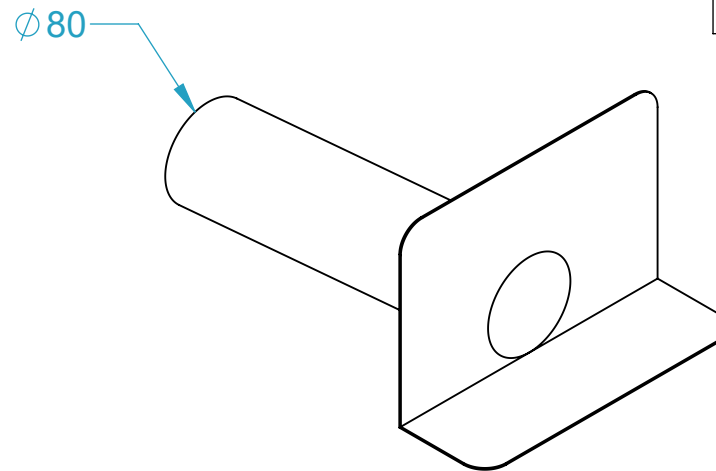
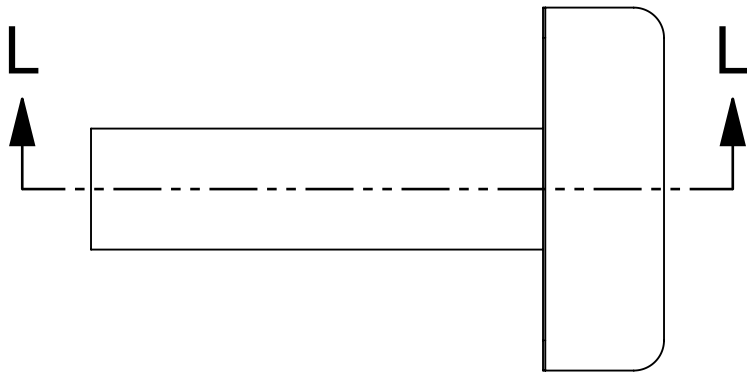


AQUAKNIGHT INDUSTRIES

CODE	NAME	DN
2200.512	Scupper Round 80 Ali	80
2200.513	Scupper Round 80 SS316	80



SECTION L-L

