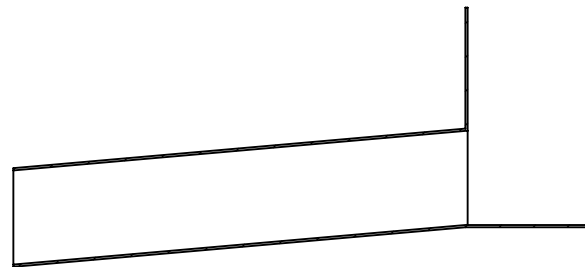
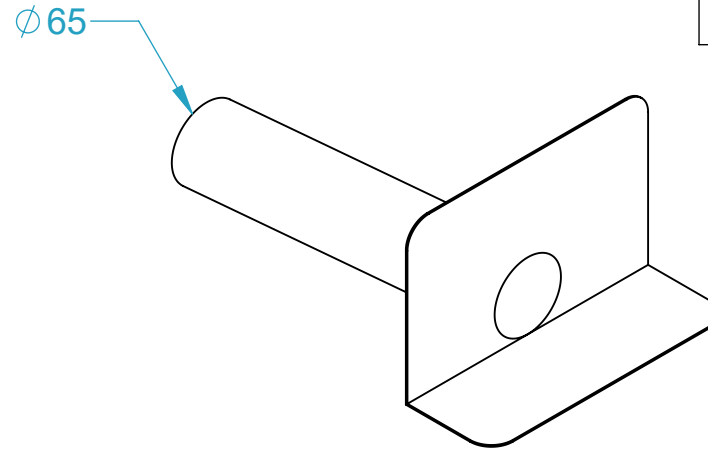
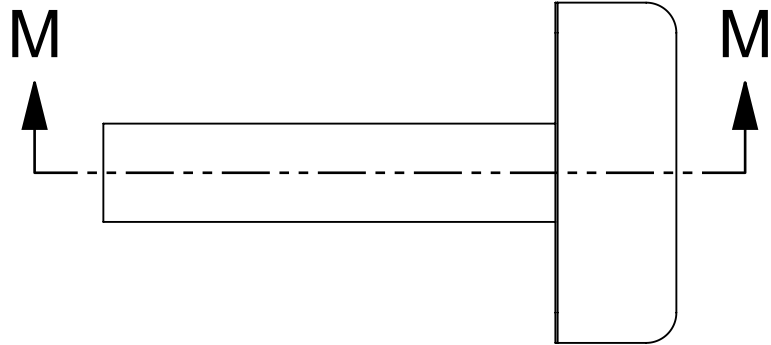


AQUAKNIGHT INDUSTRIES

CODE	NAME	DN
2200.412	Scupper Round 65 Ali	65
2200.413	Scupper Round 65 SS316	65



SECTION M-M

