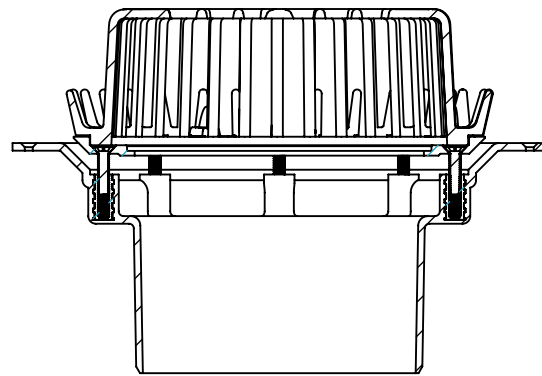
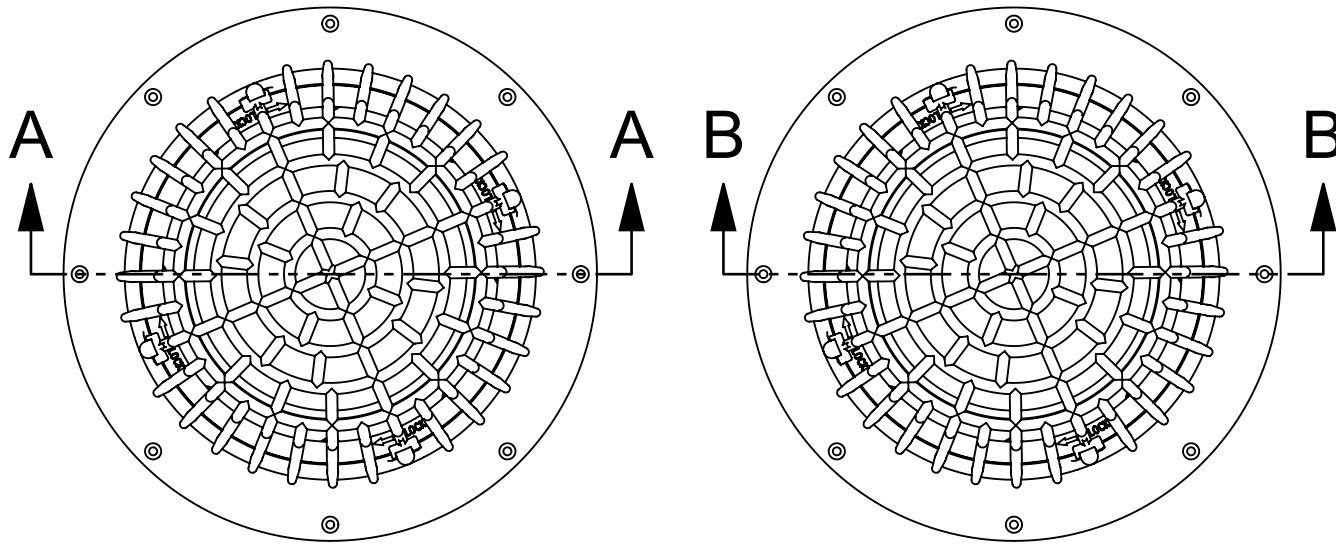
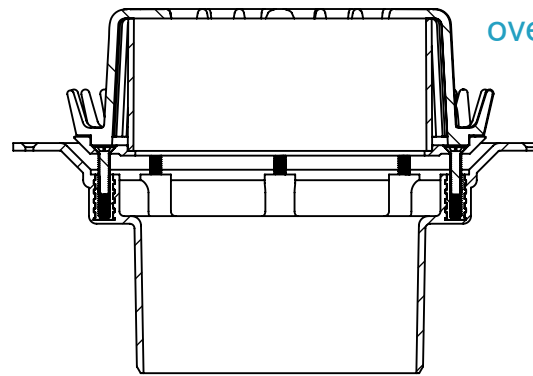


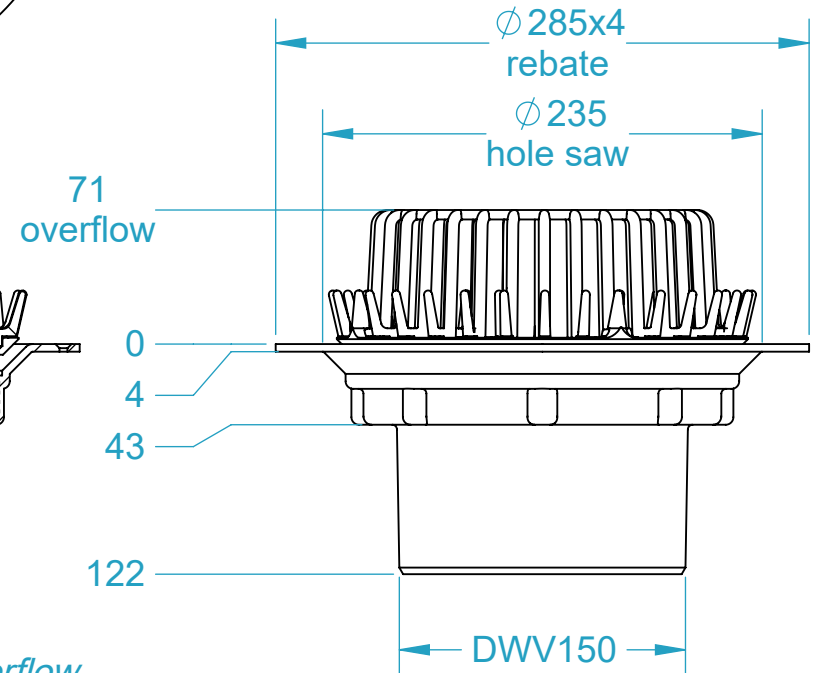
CODE	NAME	DN
3100.305	RD BE150 bf	150x150



**SECTION A-A**  
3100.305 configured for drain



**SECTION B-B**  
3100.305 configured for overflow



**Aquaknight Roof Drains are supplied configurable as either a drain or an overflow**