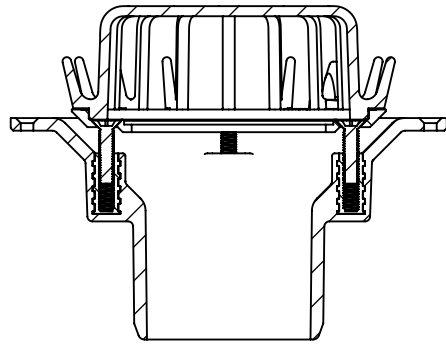
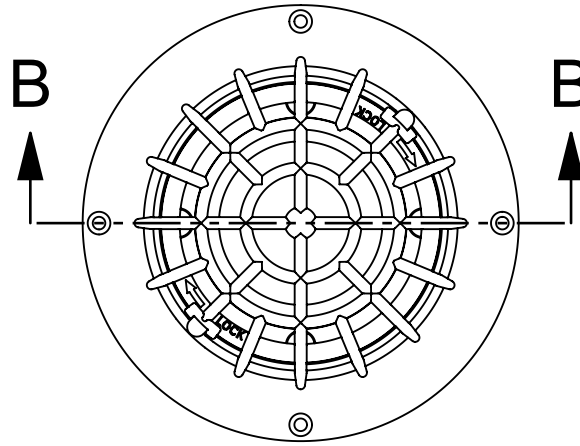
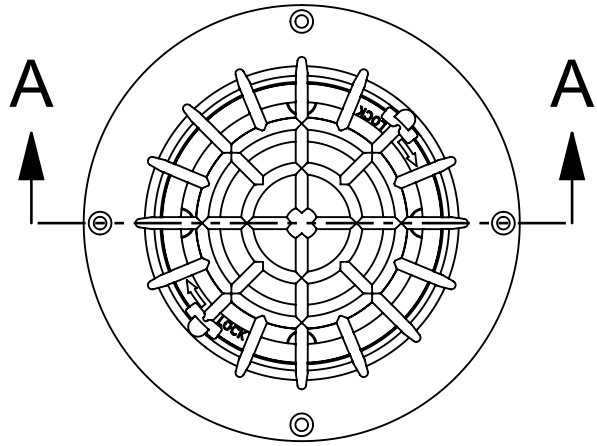
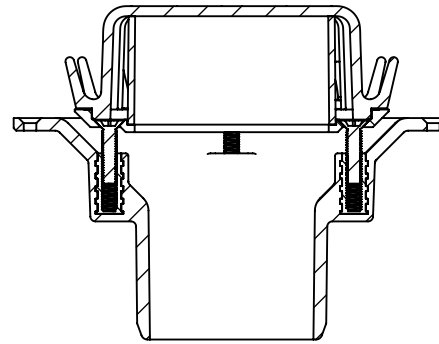


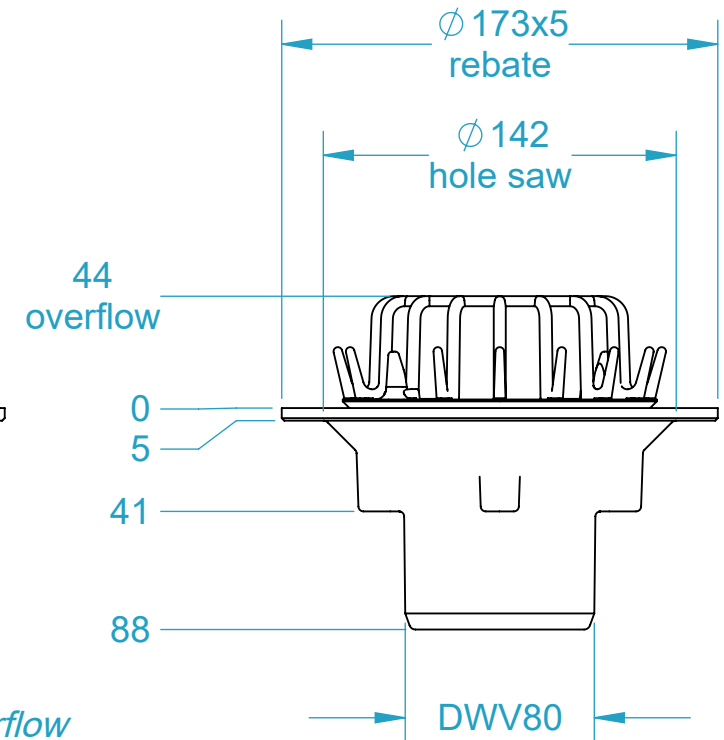
CODE	NAME	DN
3100.193.1	RD BE80 sf	80X80



SECTION A-A
3100.193.1 configured for drain



SECTION B-B
3100.193.1 configured for overflow



Aquaknight Roof Drains are supplied configurable as either a drain or an overflow