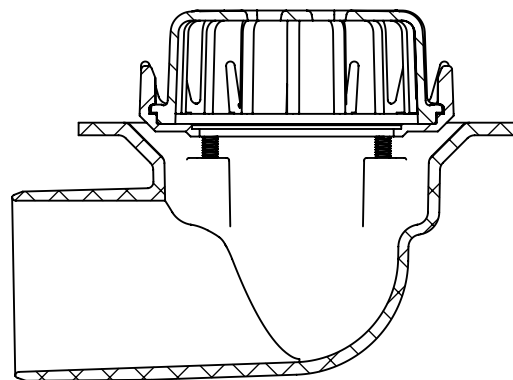
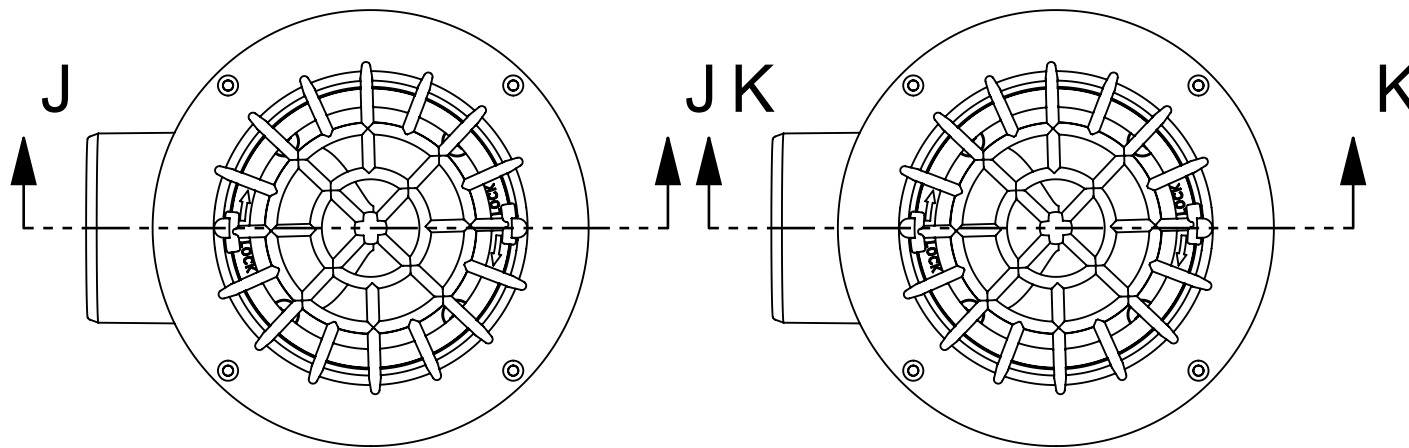
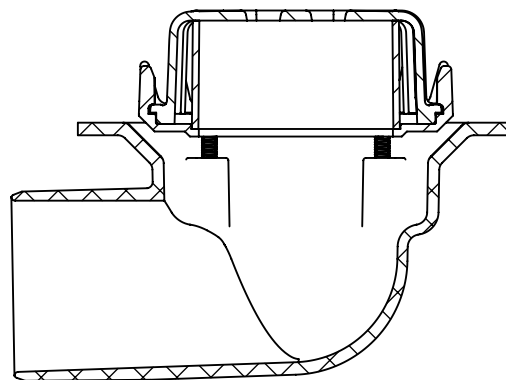


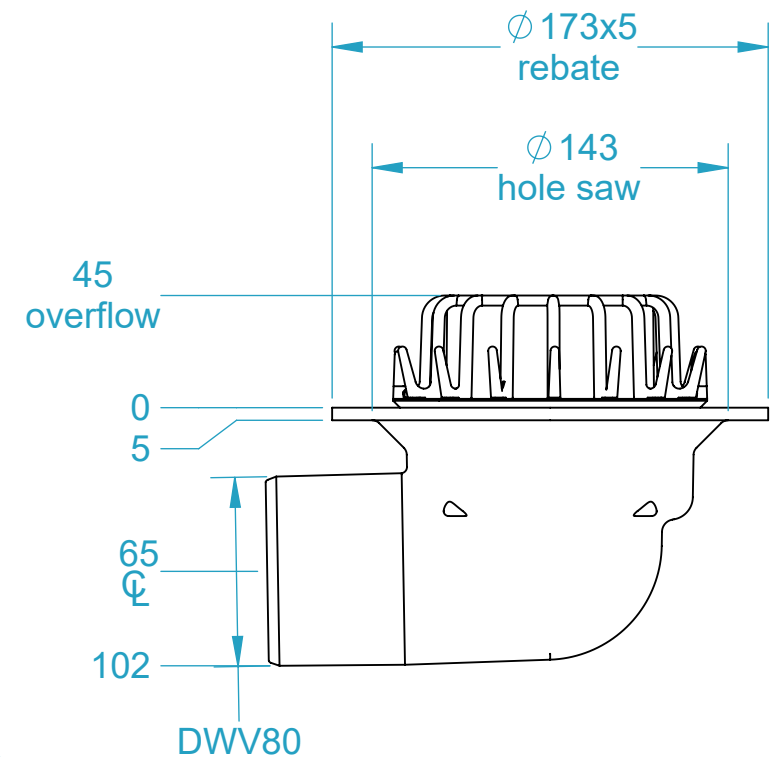
CODE	NAME	DN
3100.183.1	RD SE80 sf	80x80



SECTION J-J
3100.183.1 configured for drain



SECTION K-K
3100.183.1 configured for overflow



Aquaknight Roof Drains are supplied configurable as either a drain or an overflow