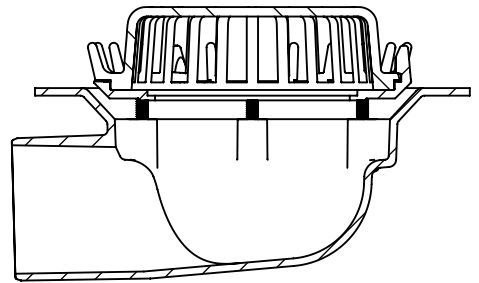
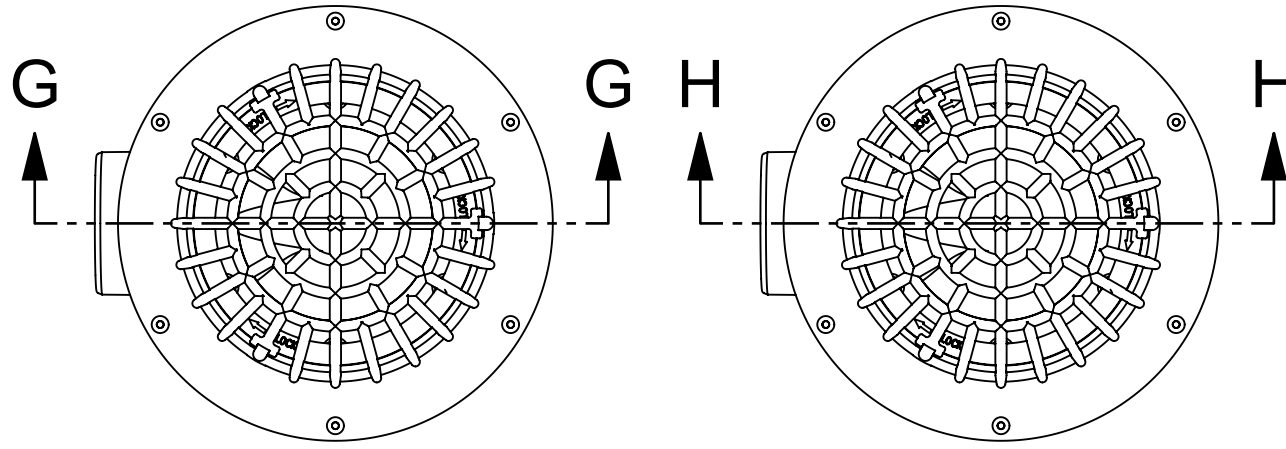
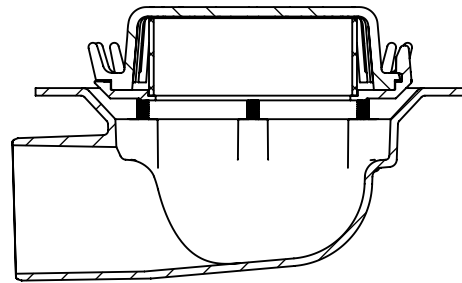


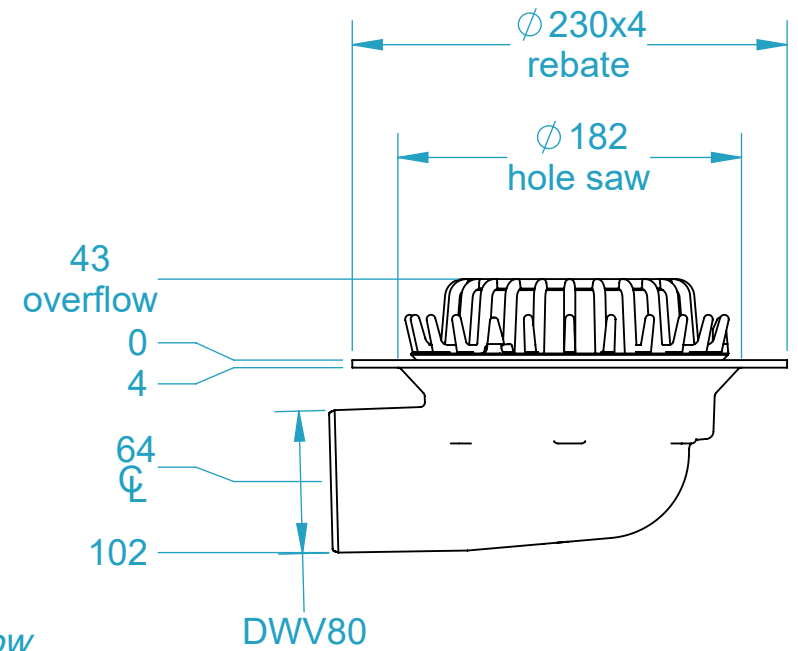
CODE	NAME	DN
3100.183	RD SE80 bf	100X80



SECTION G-G
3100.183 configured for drain



SECTION H-H
3100.183 configured for overflow



Aquaknight Roof Drains are supplied configurable as either a drain or an overflow