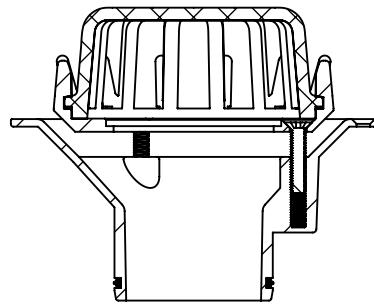
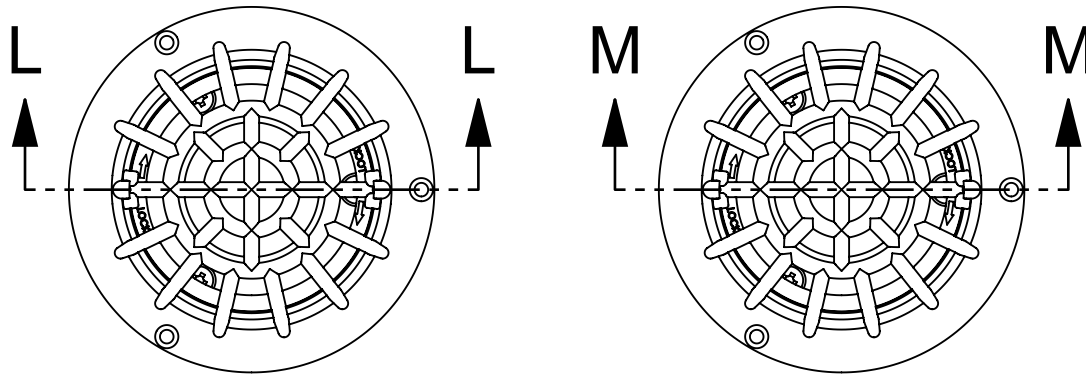
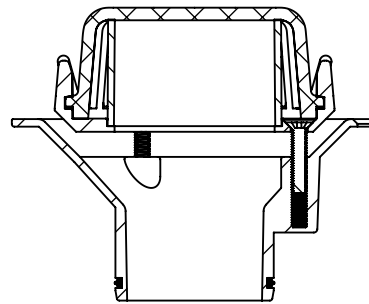


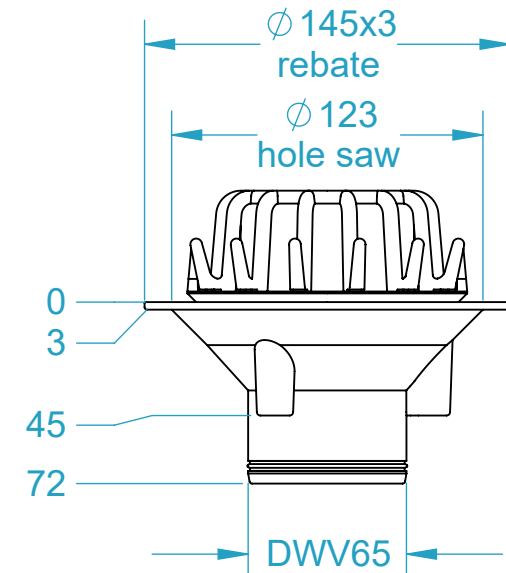
CODE	NAME	DN
3100.176.1. SS	RD BE65 sf SS	65x65



SECTION L-L
3100.176.1.SS *configured for drain*



SECTION M-M
3100.176.1.SS *configured for overflow*



Aquaknight Roof Drains are supplied configurable as either a drain or an overflow