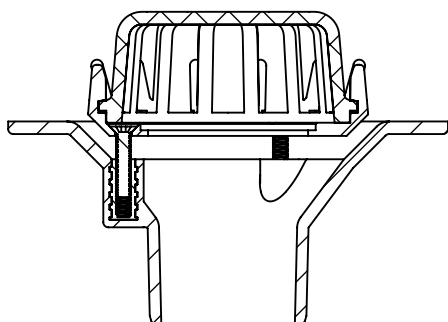
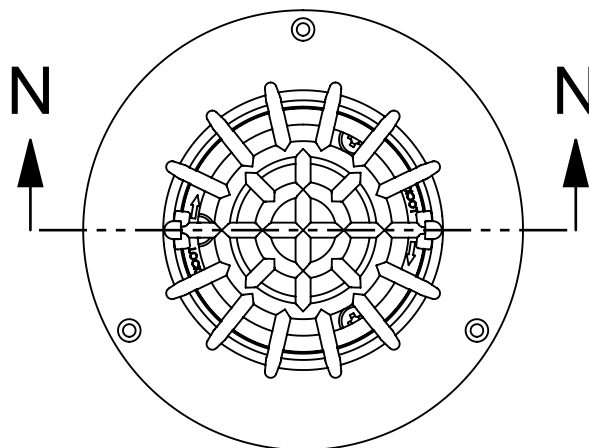
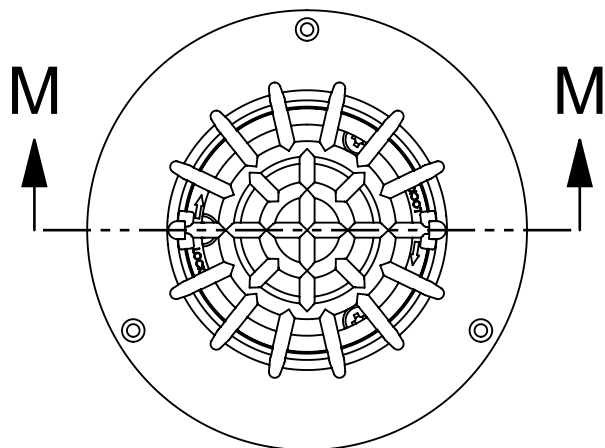
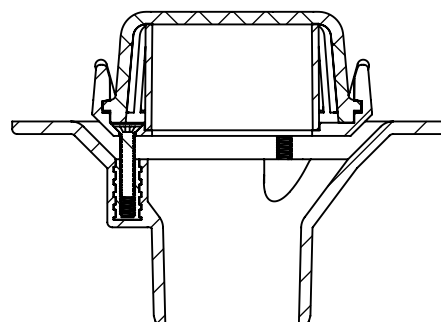


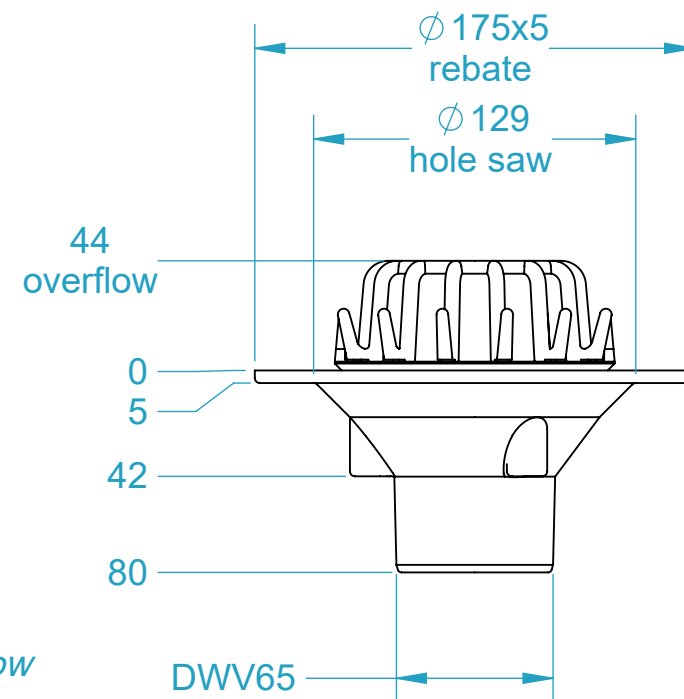
CODE	NAME	DN
3100.176.1	RD BE65 sf	65x65



SECTION M-M
3100.176.1 configured for drain



SECTION N-N
3100.176.1 configured for overflow



Aquaknight Roof Drains are supplied configurable as either a drain or an overflow