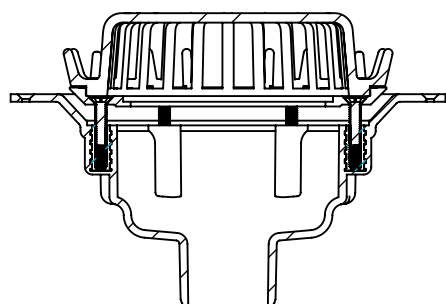
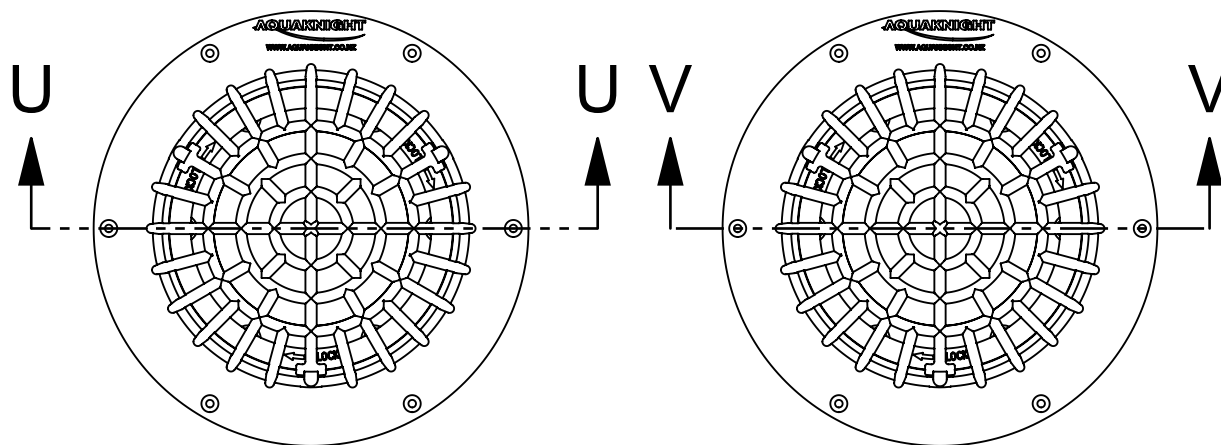
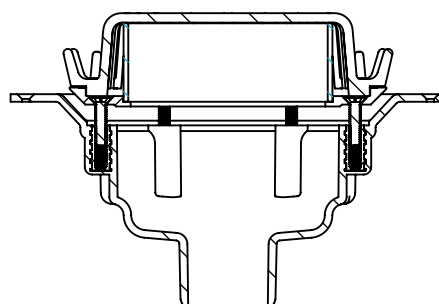


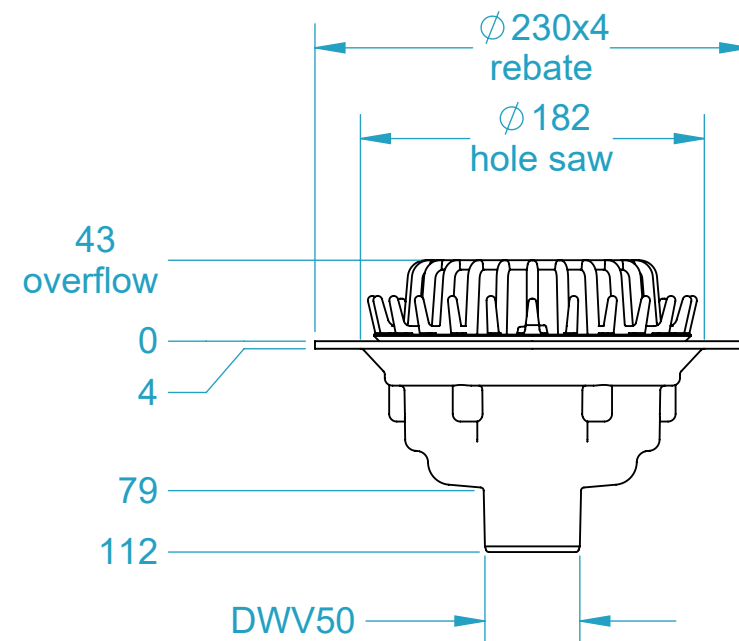
CODE	NAME	DN
3100.173	RD BE50 bf	100x50



SECTION U-U
3100.173 configured for drain



SECTION V-V
3100.173 configured for overflow



Aquaknight Roof Drains are supplied configurable as either a drain or an overflow