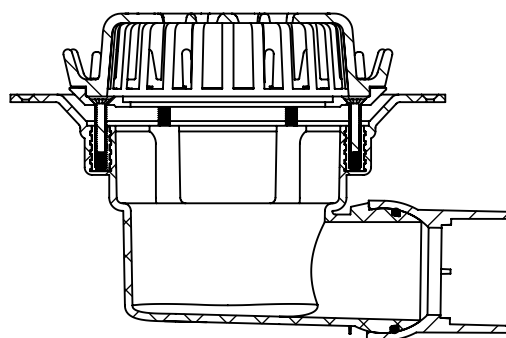
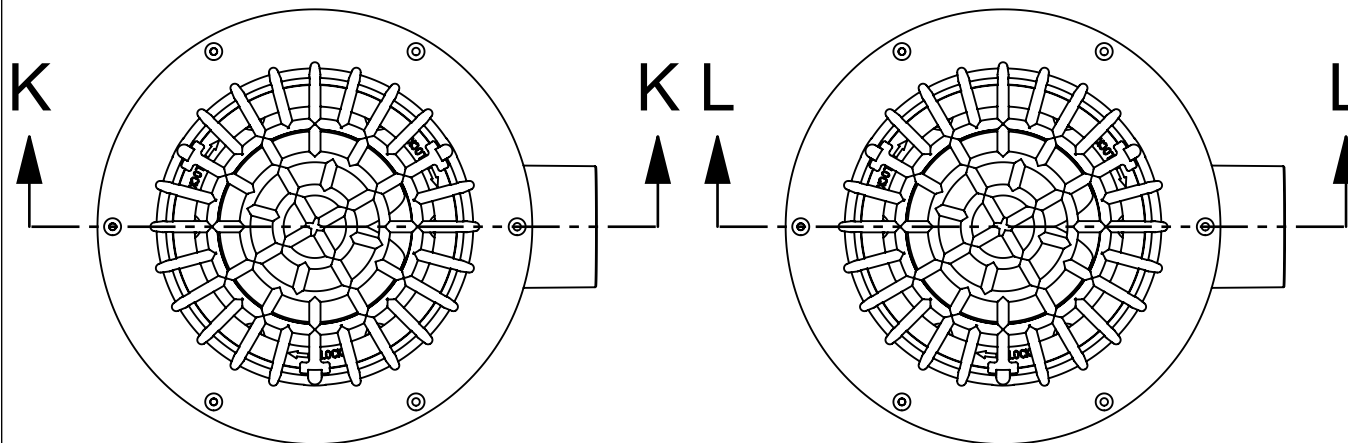
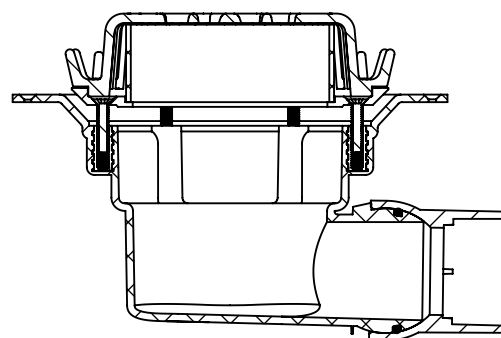


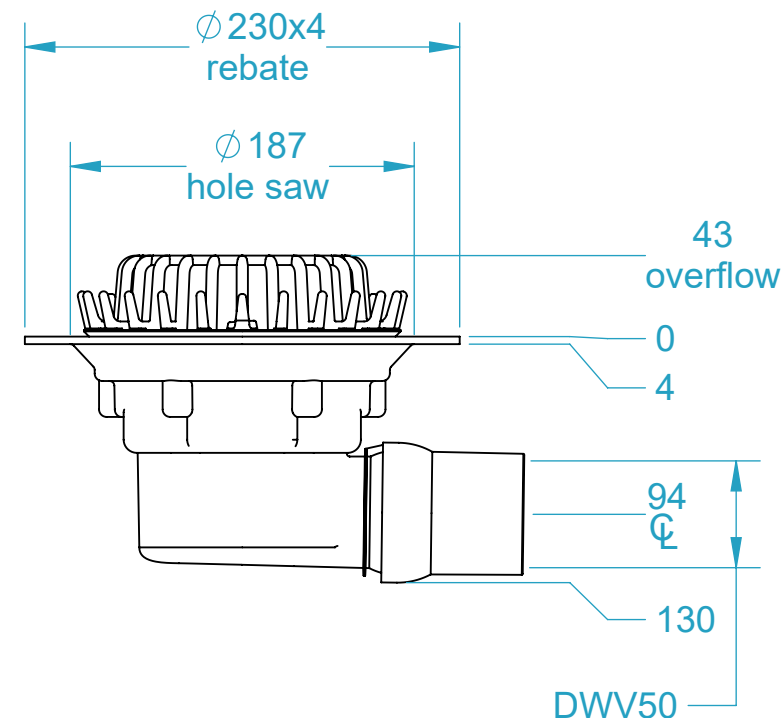
CODE	NAME	DN
3100.163	RD SE50 bf	100x50



SECTION K-K
3100.163 configured for drain



SECTION L-L
3100.163 configured for overflow



Aquaknight Roof Drains are supplied configurable as either a drain or an overflow