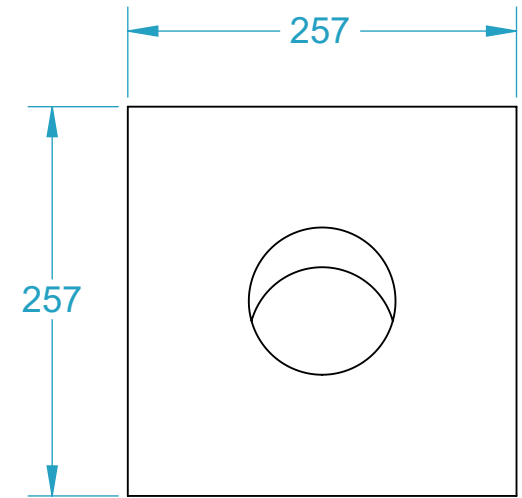
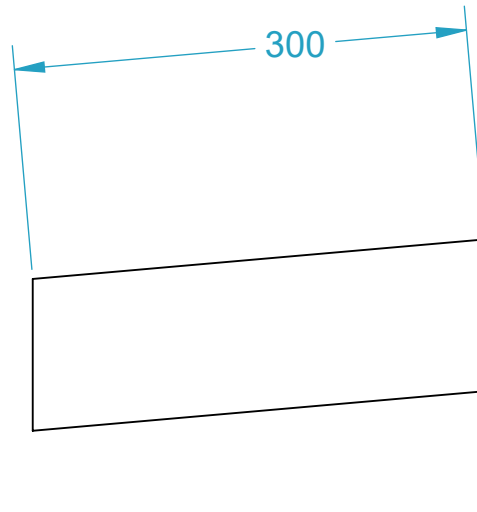
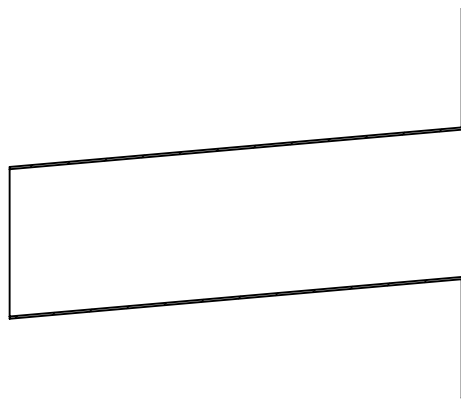
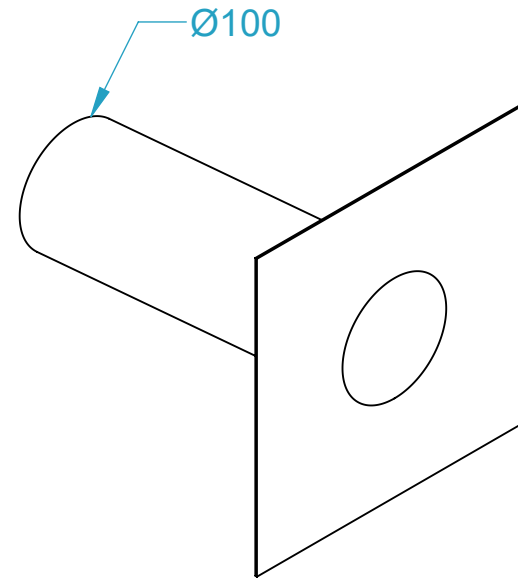
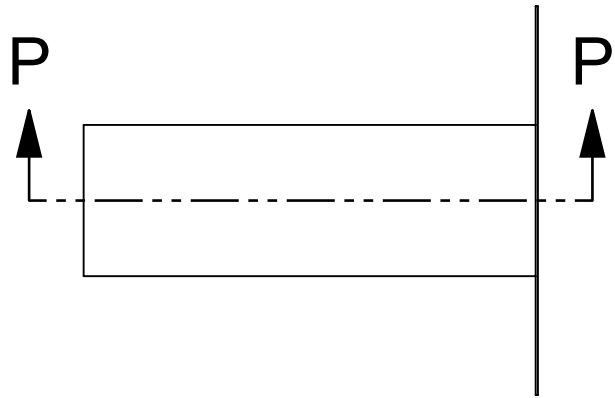


CODE	NAME	DN
2500.312	Overflow Round 100x300@5 Alluminium 5052	100
2500.313	Overflow Round 100x300@5 SS316	100



SECTION P-P