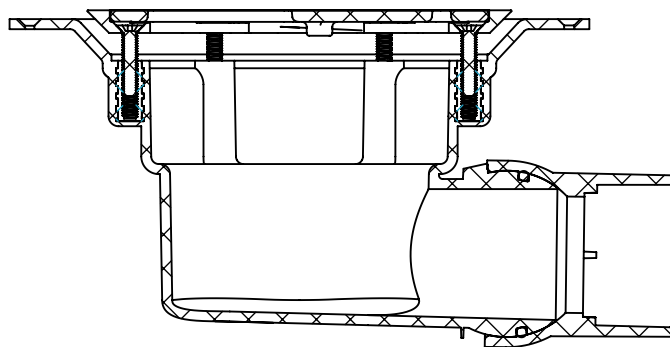
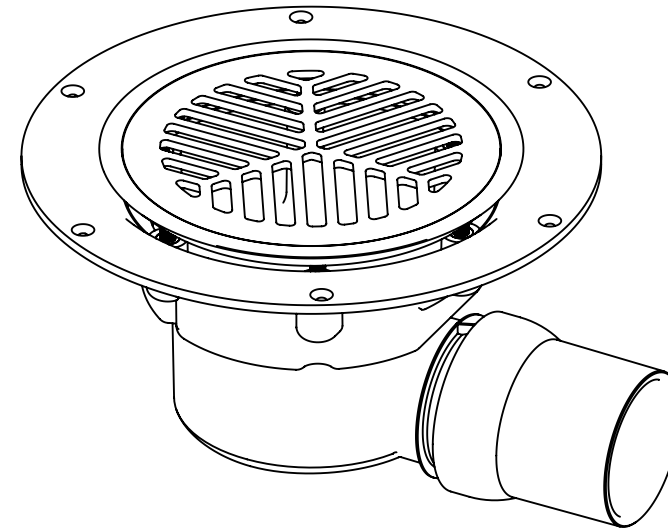
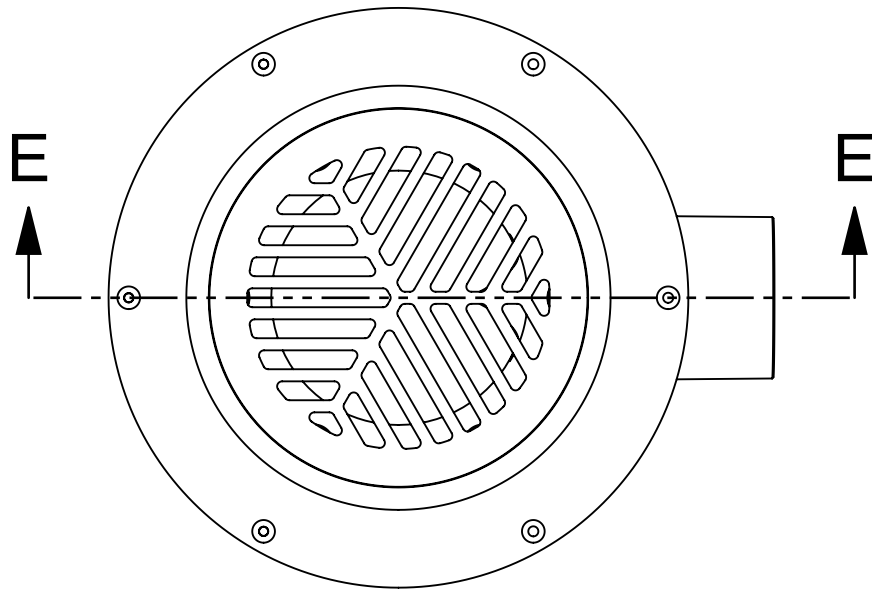


| CODE | NAME | DN |
|----------|-----------|--------|
| 3100.164 | DD SE50bf | 100x50 |



SECTION E-E

