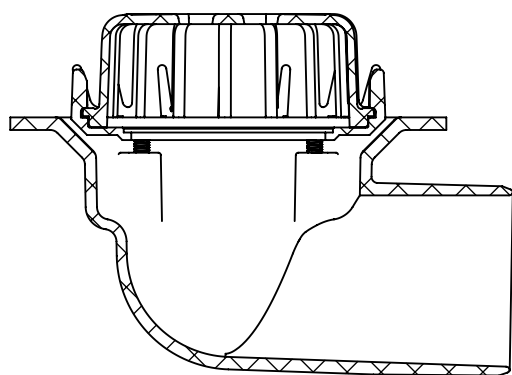
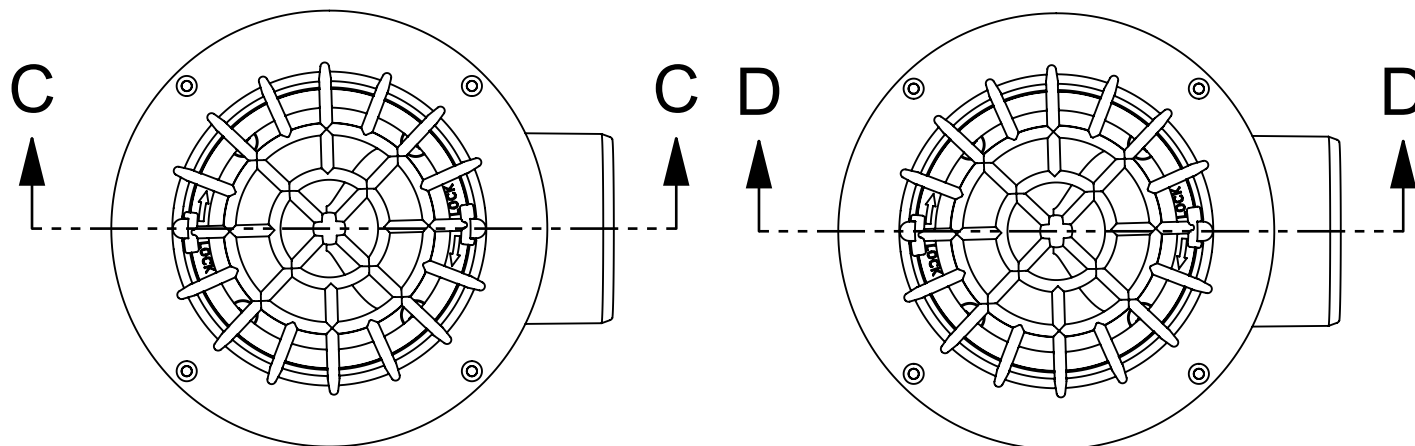
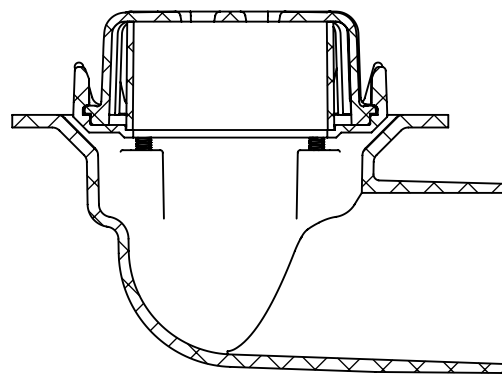


| CODE       | NAME       | DN    |
|------------|------------|-------|
| 3100.183.1 | RD SE80 sf | 80x80 |



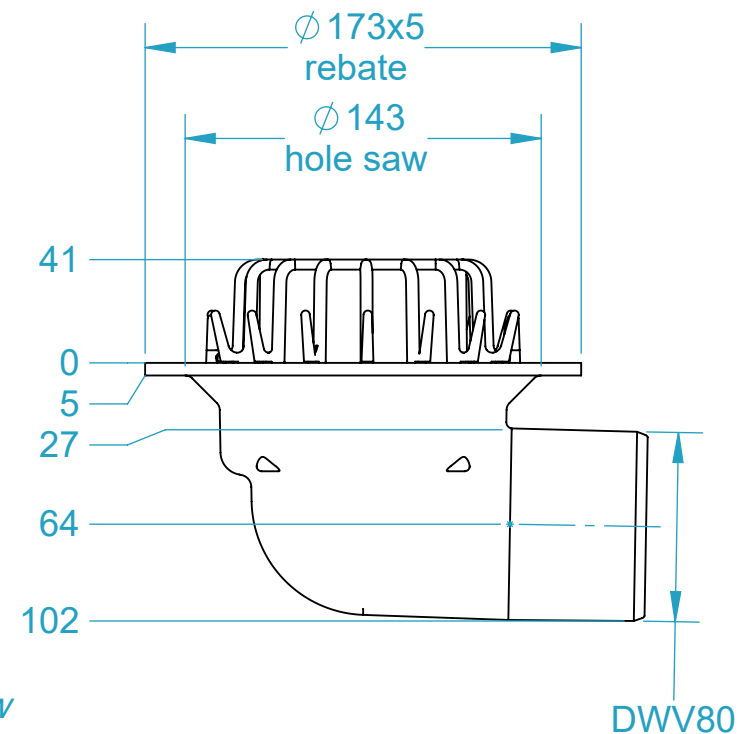
**SECTION C-C**

*3100.183.1 configured for drain*



**SECTION D-D**

*3100.183.1 configured for overflow*



**Aquaknight Roof Drains are supplied configurable as either a drain or an overflow**