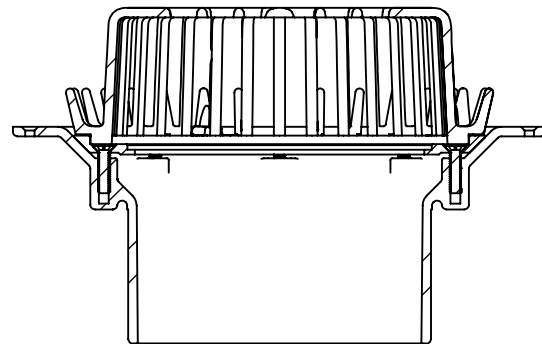
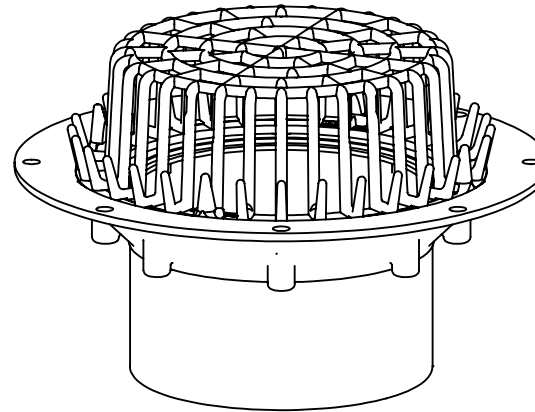
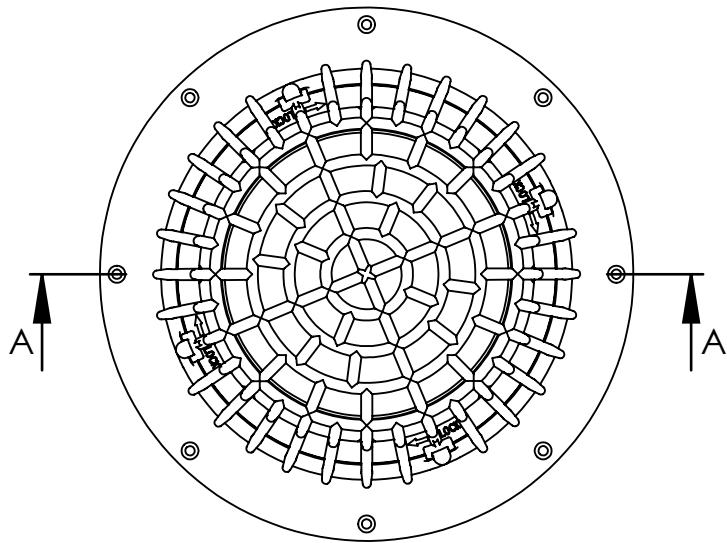
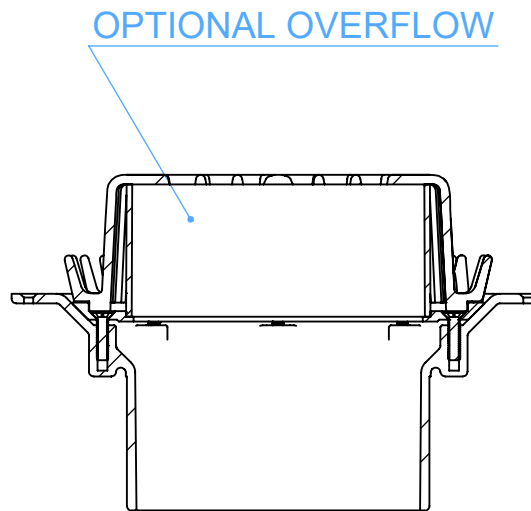


CODE	NAME	DN
3100.305 SS	RD BE150 SS	150x150



**ROOF DRAIN SECTION**



**OVERFLOW SECTION**

