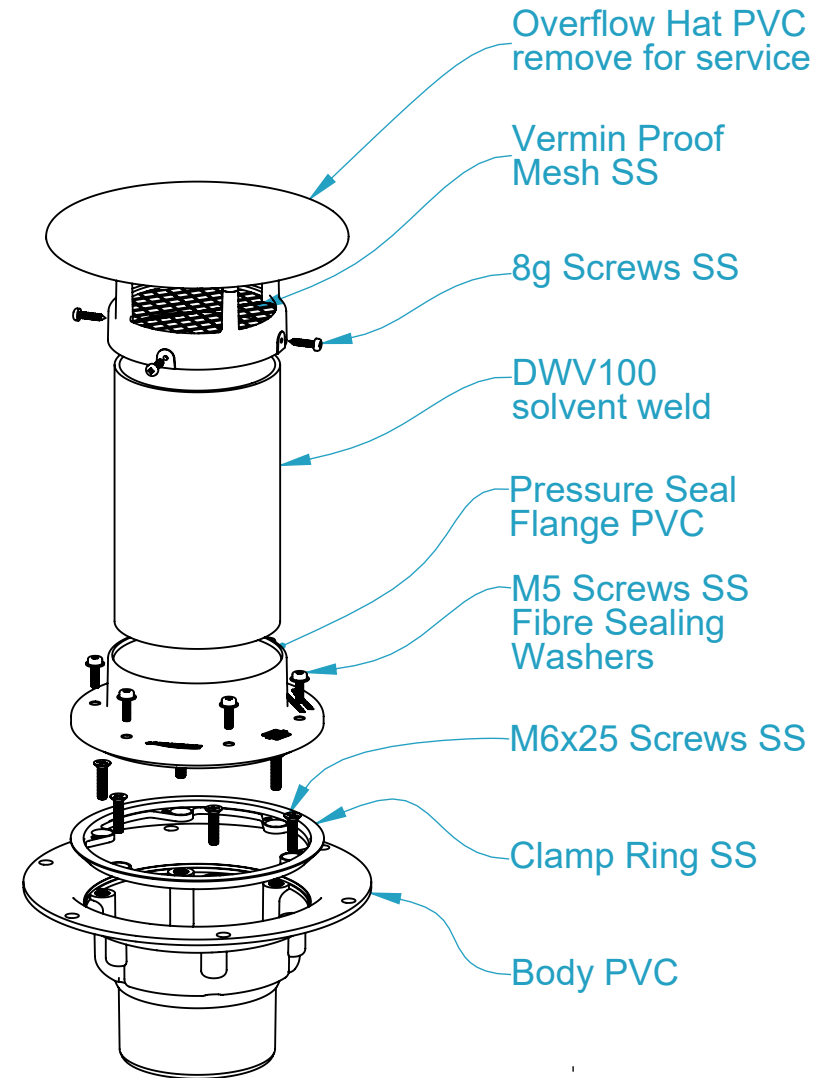
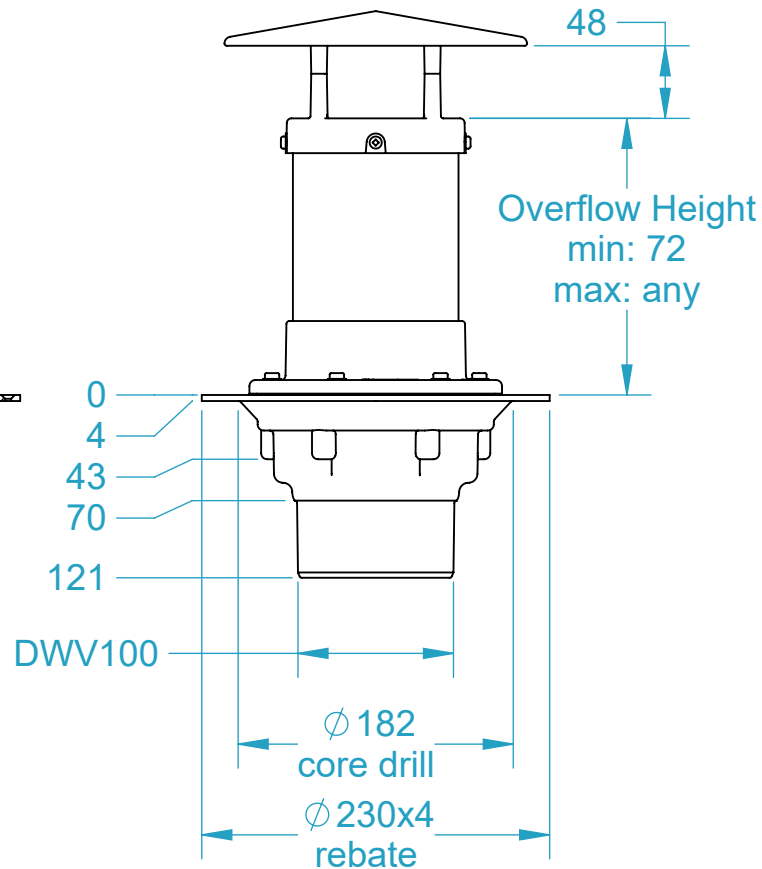
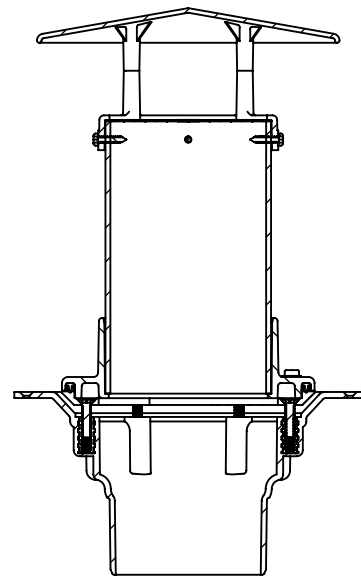
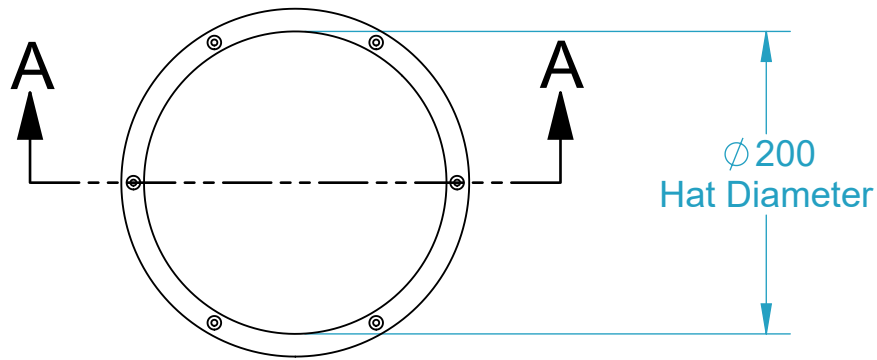


CODE	NAME	DN
3100.205.1	RD Overflow XL Bottom Exit 100	100x100



E2 8.3 High Pressure Air test (for internal pipework)
required: 25kPa tested to: 50kPa