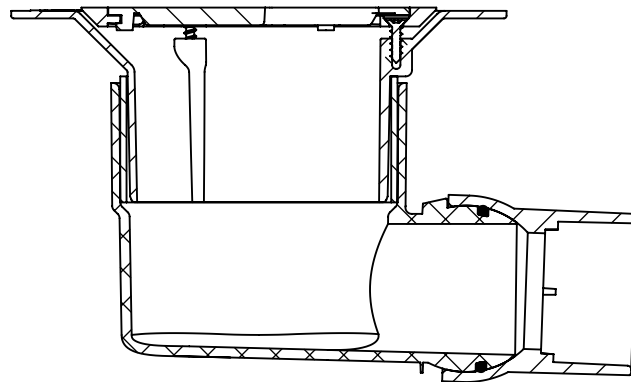
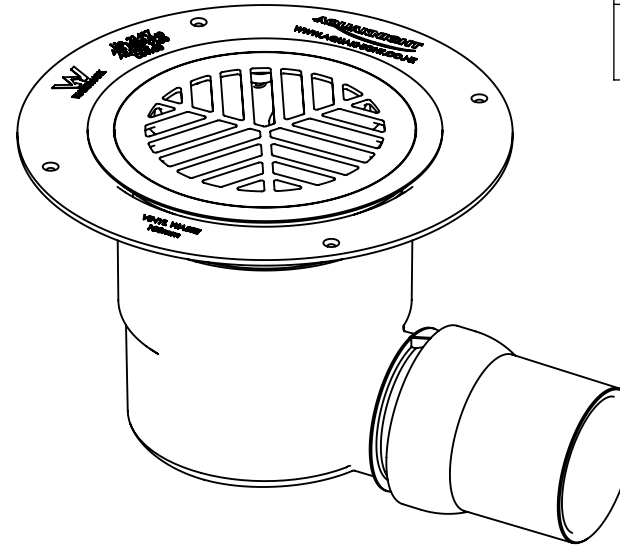
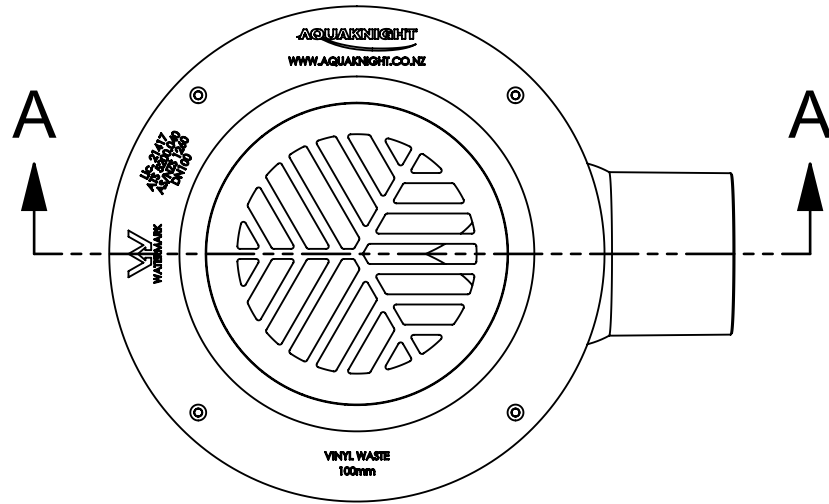


CODE	NAME	DN
5000.113	VC COB HF SE50	100X50



**SECTION A-A**

