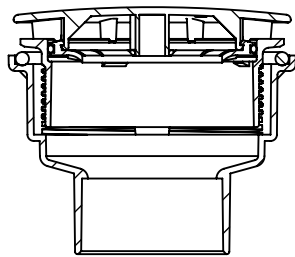
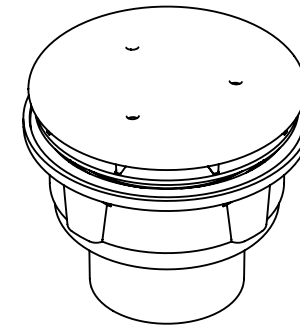
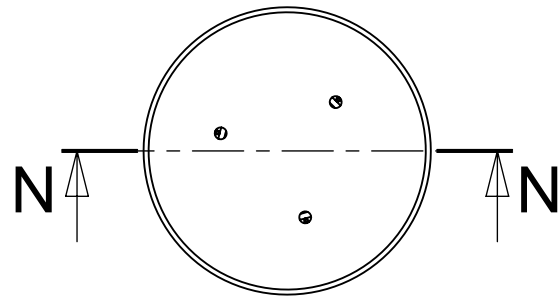


CODE	NAME	DN
0526.13	LRP DC HF BE50	90X50



**SECTION N-N**

