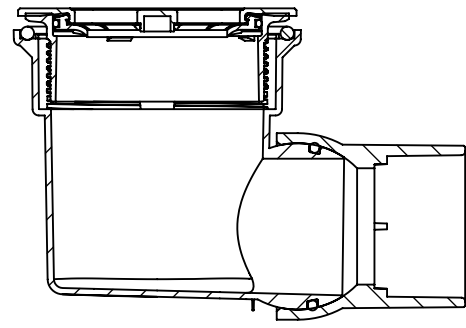
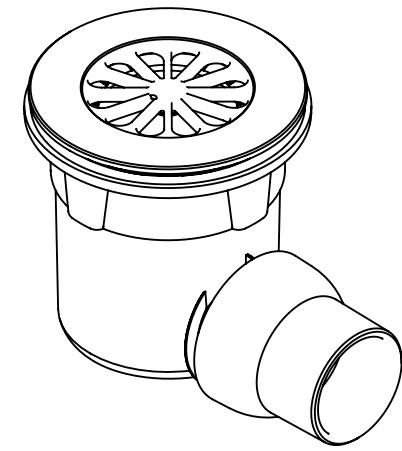
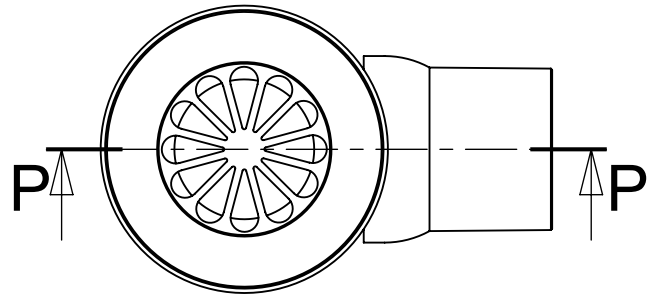


CODE	NAME	DN
0522.03	LRP FC HF SE50	90X50



SECTION P-P

