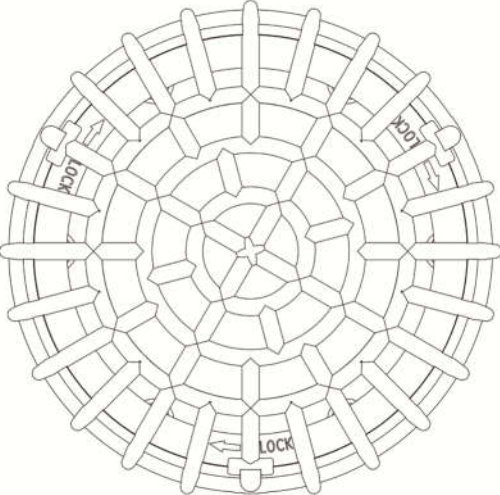
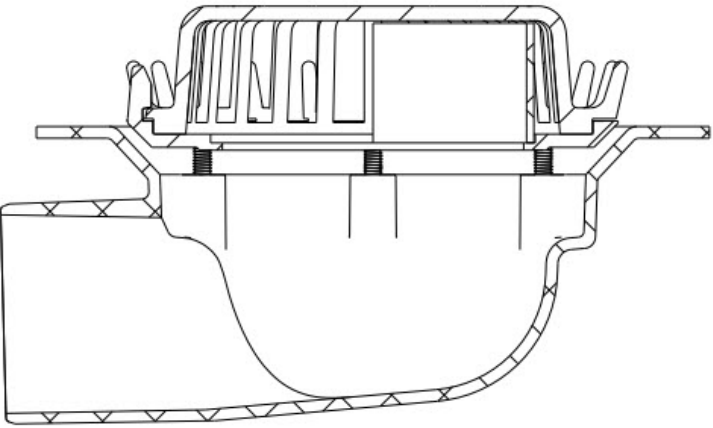


FLOWLAB

TEST RESULTS for 3100.183 RD SE80

TEST DATE : 11/09/2019		ID 3100.183 RD SE80	
Description	Roof Drain Side Exit 80mm		
Model Number	3100.183 RD SE80		
Drain Type	100 mm Round		
Inlet Size	100 mm	Outlet Size	80 mm
Grate Drawing			
Drain Drawing			

FLOWLAB

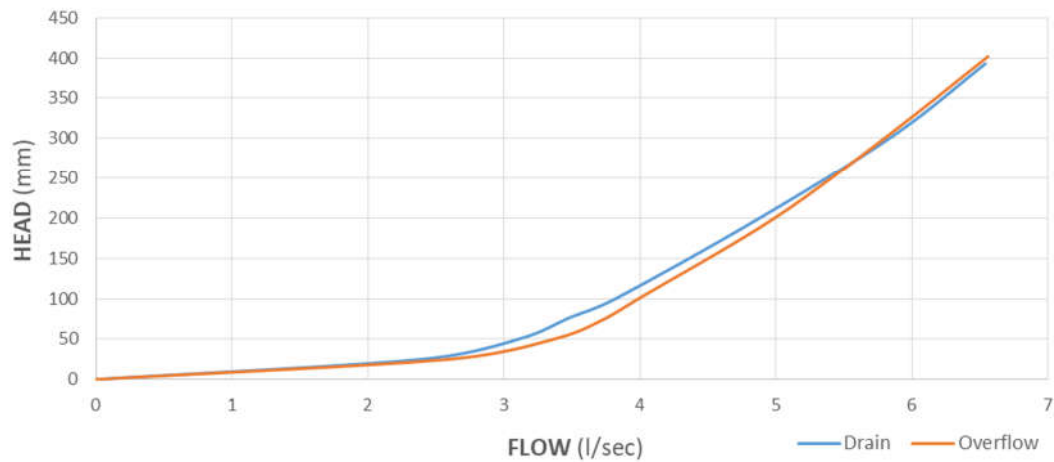
TEST RESULTS for 3100.183 RD SE80

Flow Characteristic Curve

Test Number : 1001.1

ID 3100.183 RD SE80

Flow Characteristic Curve for Roof Drain Side Exit 80mm
Aquaknight Code: 3100.183
Condition: Fitting Only



Maximum Weir Flow

Flow at 25 mm HEAD

Flow at 400 mm HEAD

6.5 l/sec

2.5 l/sec

6.5 l/sec



Maximum Weir Flow 390 l/m @ 400 mm HEAD

Observation Comments:

Weir Flow Conditions: Uninterrupted Weir Flow conditions to 400mm head

Vortex Conditions: No vortex conditions observed

Discharge Conditions: No Discharge event observed.

Notes: Overflow configuration flow exceeds Drain configuration up to 5.5 l/sec, 275mm head