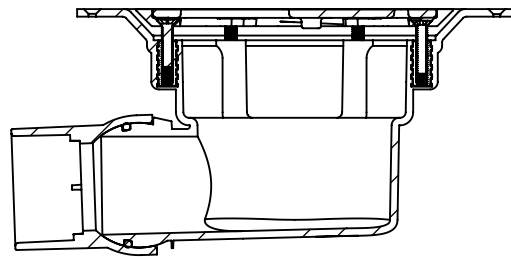
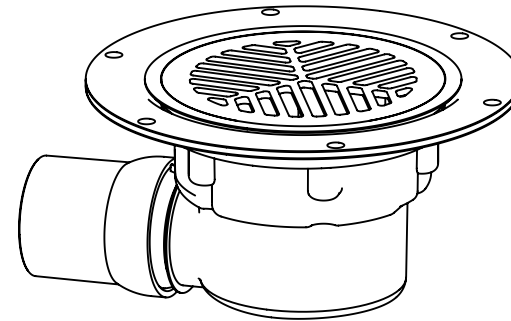
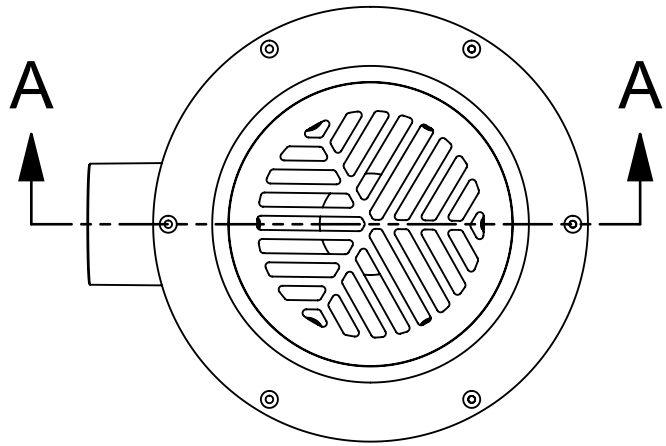


| CODE | NAME | DN |
|----------|--------------------------|--------|
| 3100.164 | Deck Drain SF HF SE50 | 100x50 |



SECTION A-A

