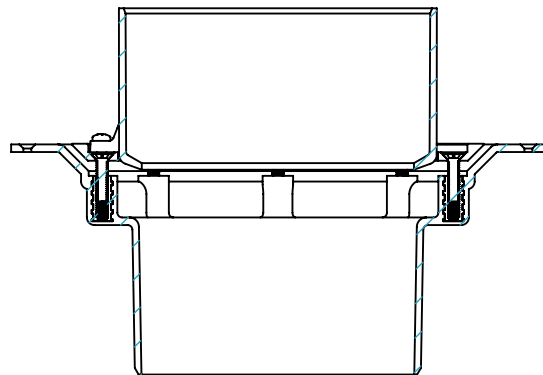
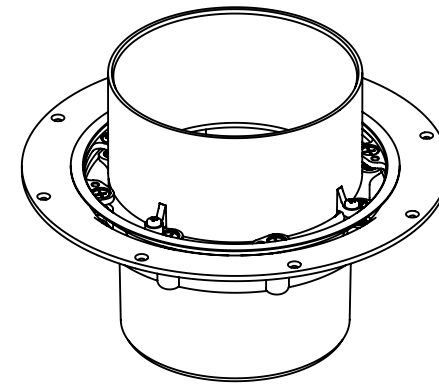
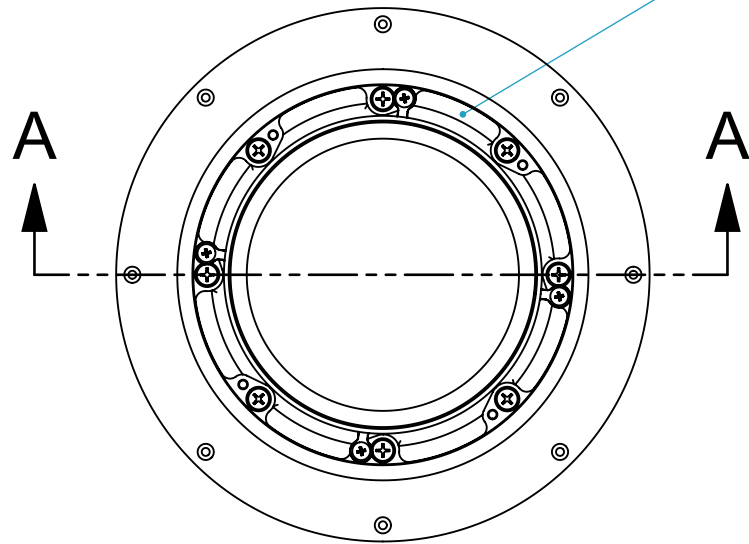


CODE	NAME	DN
3000.121	DownPipe Junction 150x150 vented	150x150

Free Draining Area  
6520mm<sup>2</sup>



SECTION A-A

