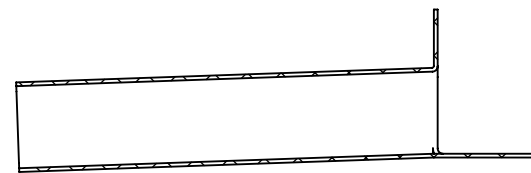
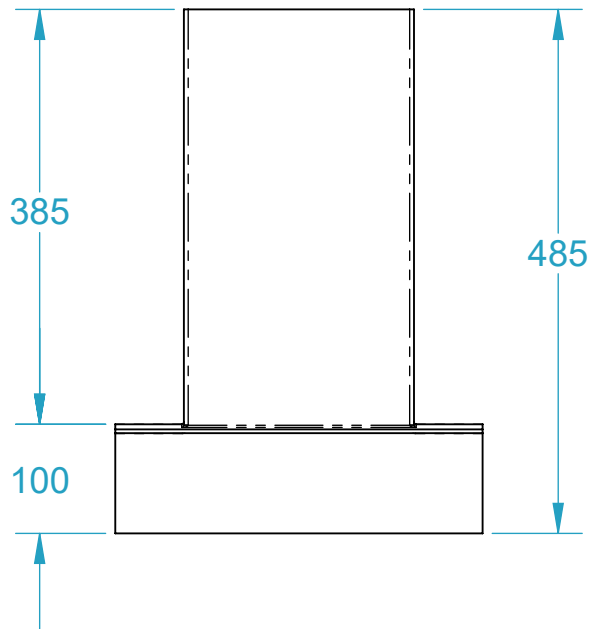
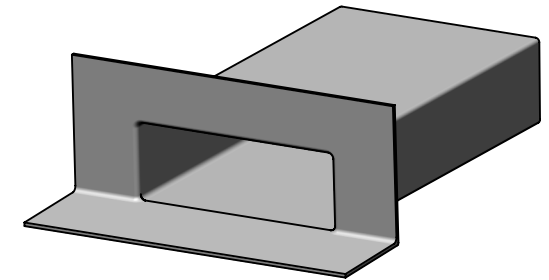
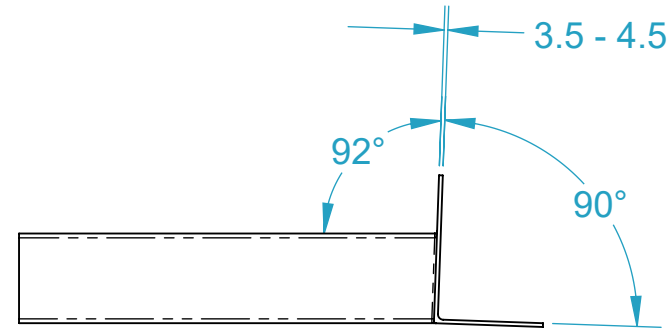
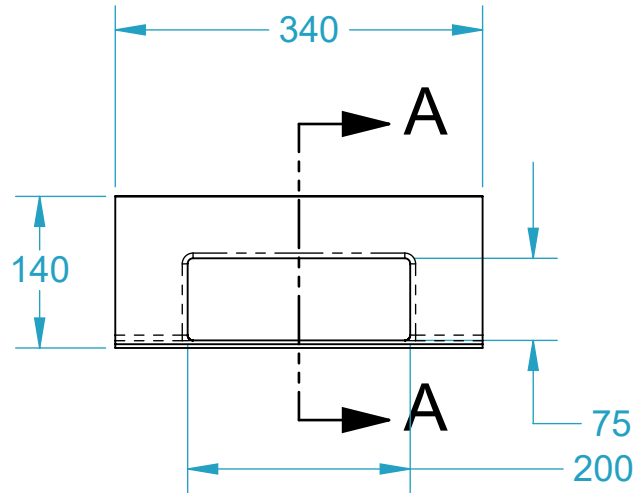


CODE	NAME	DN
2100.118	Scupper Radiused 200x75x400	150



SECTION A-A