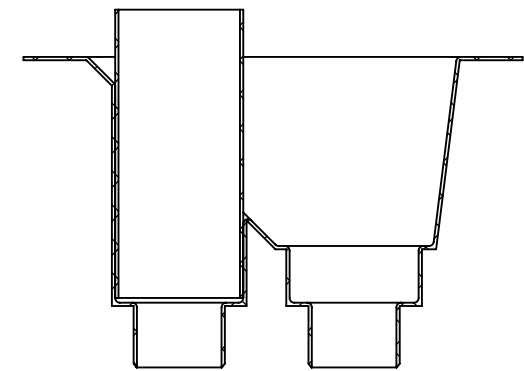
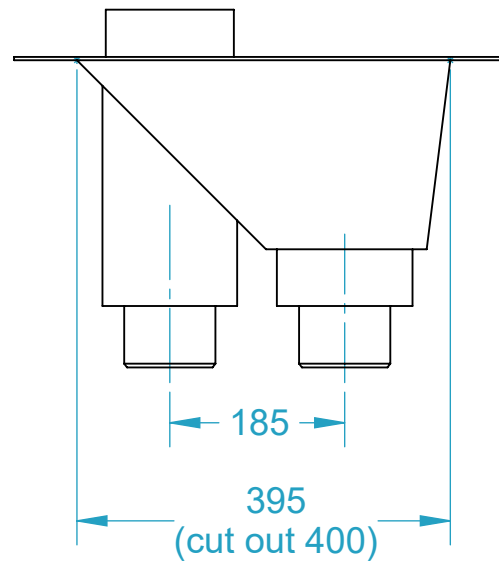
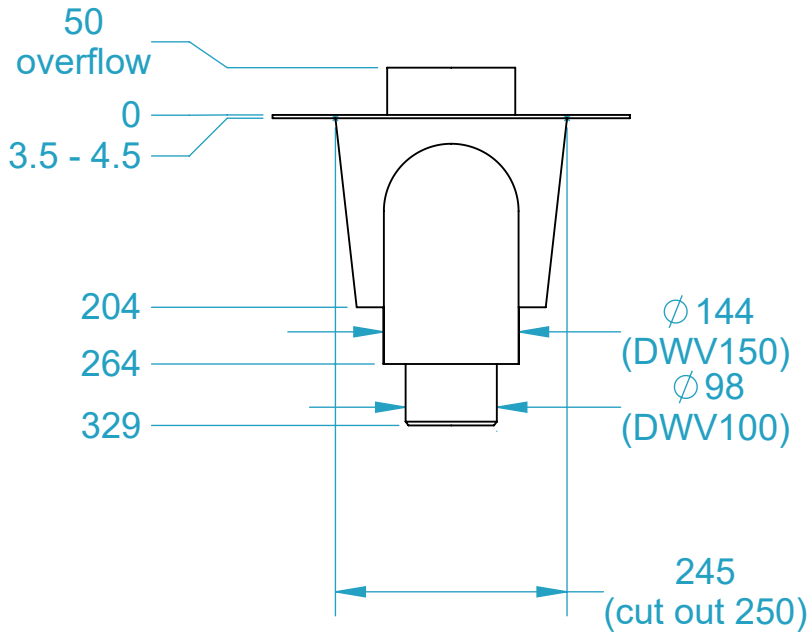
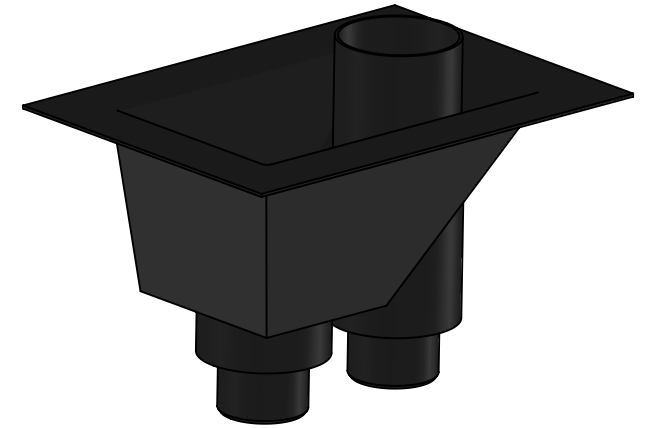
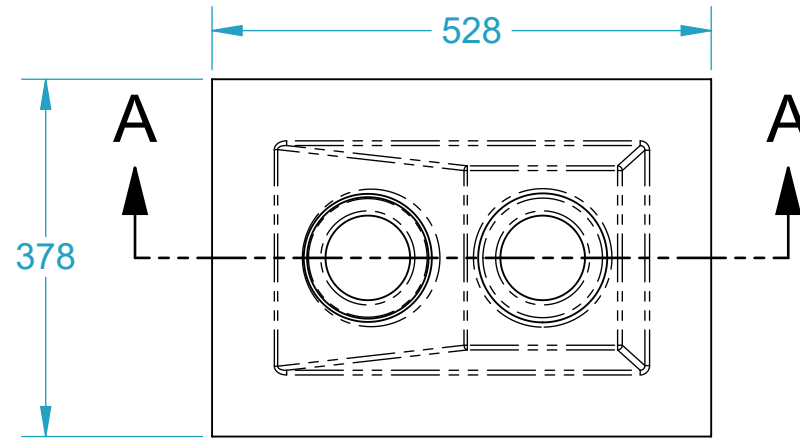


CODE	NAME	DN
2100.112	Rainhead Overflow Sump 530x380x330	150/ 100



SECTION A-A