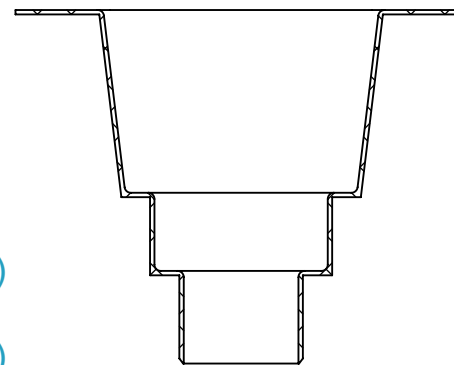
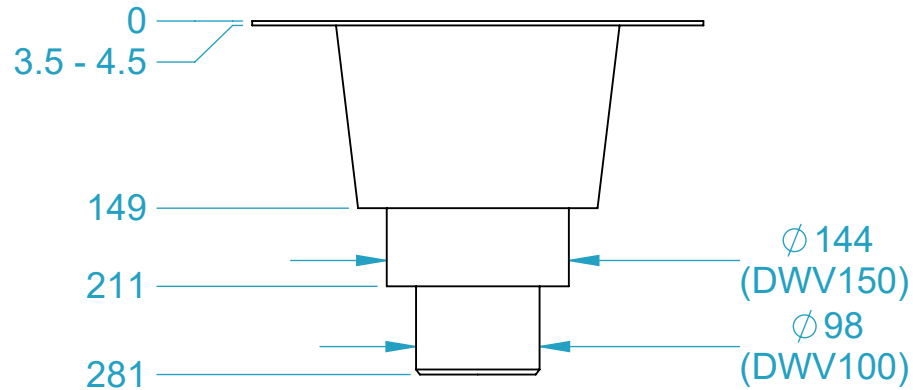
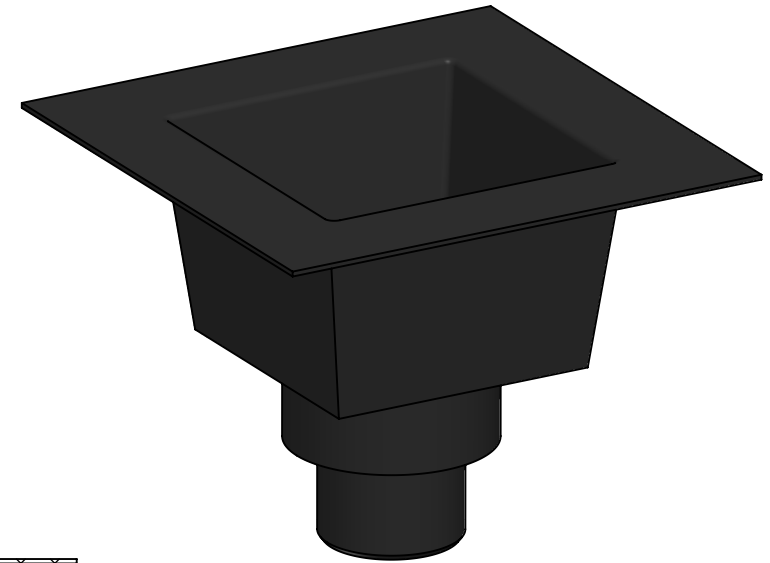
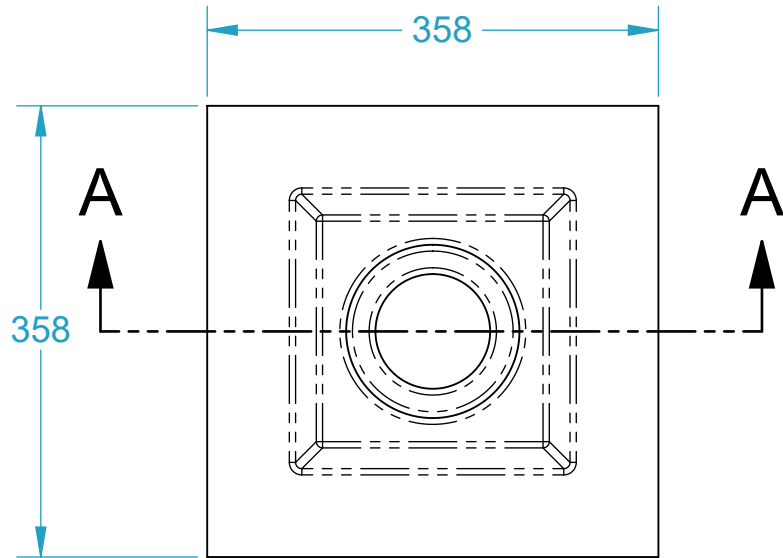


CODE	NAME	DN
2100.110	Rainhead Sump 360x360x280	150/ 100



SECTION A-A