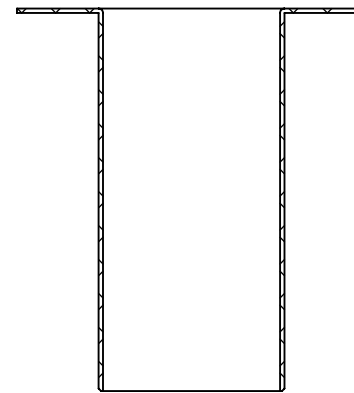
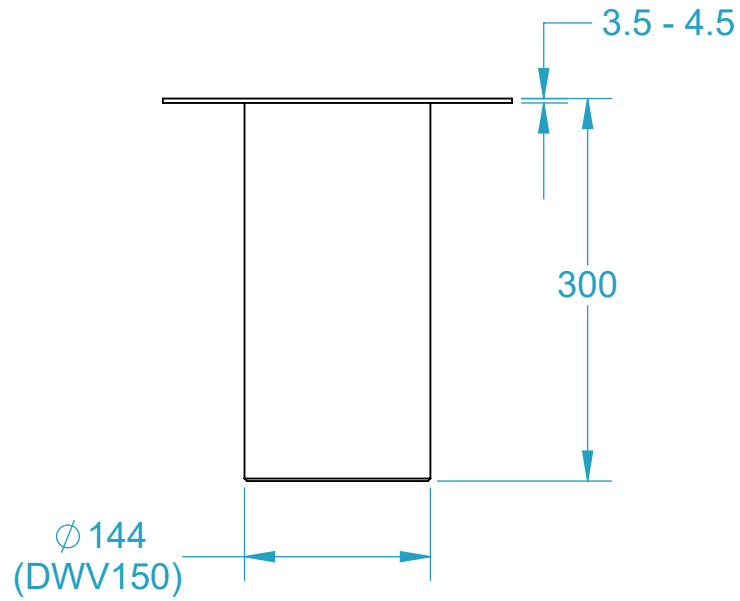
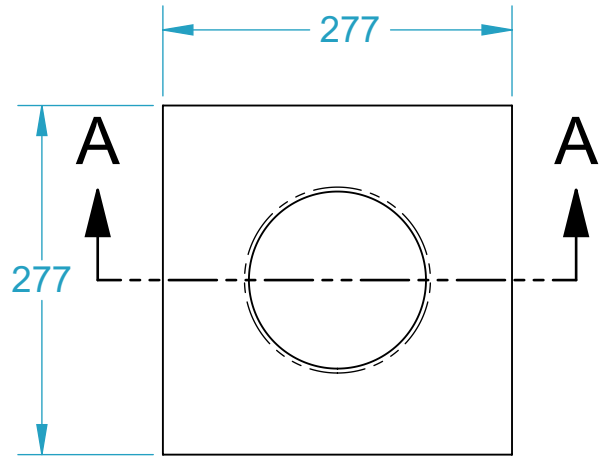


CODE	NAME	DN
2100.109	Dropper 300x150	150



SECTION A-A