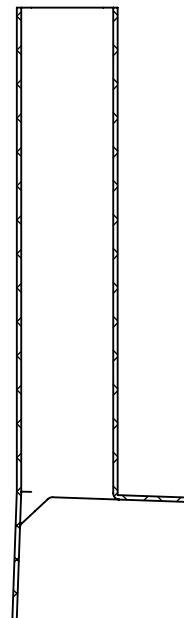
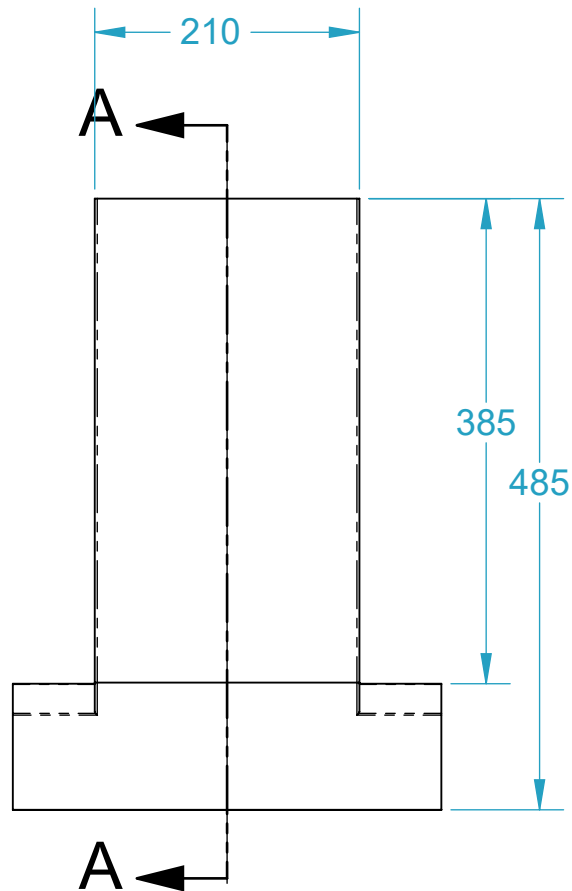
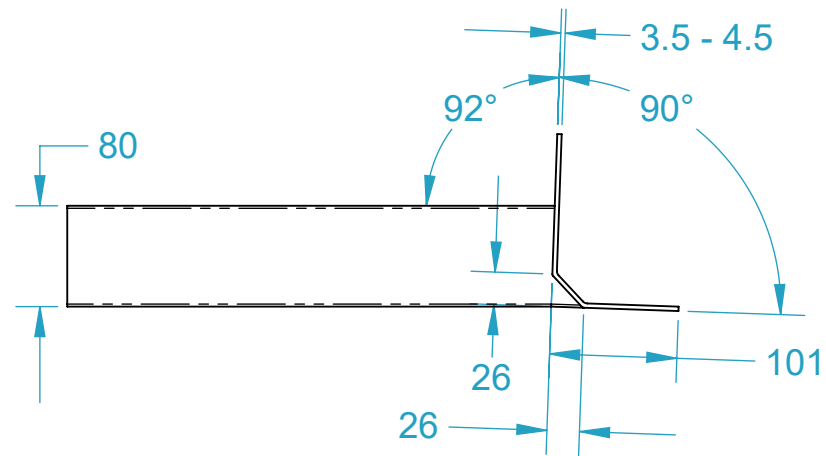
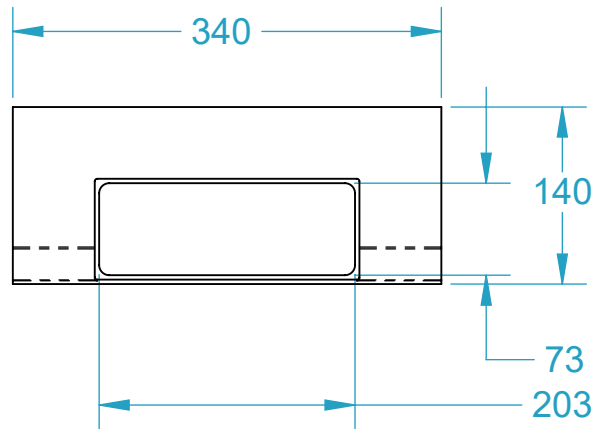


CODE	NAME	DN
2100.104	Scupper Chamfer 200x75x400x 2deg	150



SECTION A-A

