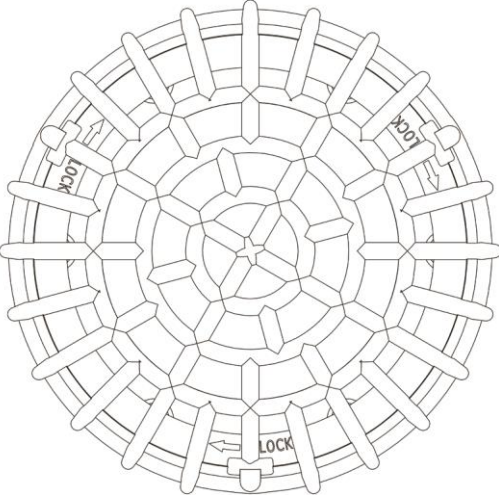
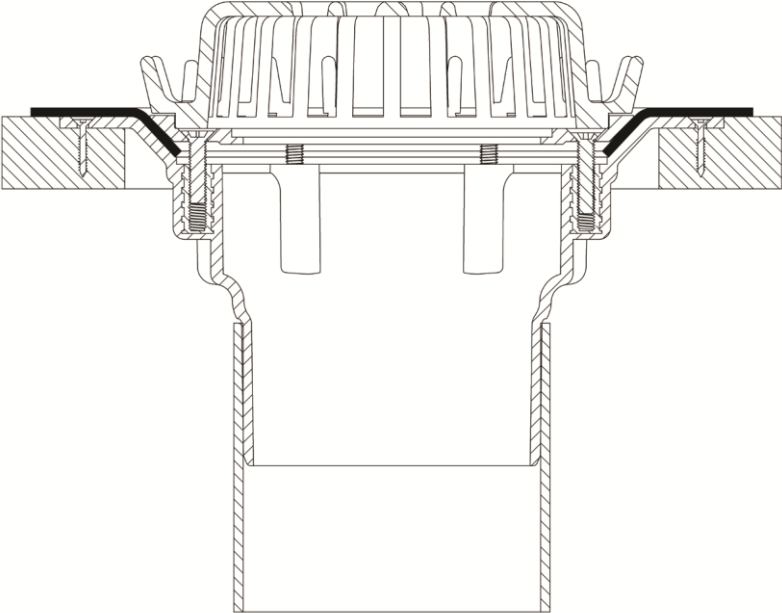


FLOWLAB

TEST RESULTS for 3100.205 RD SD HF BE100

TEST DATE : 14/08/2018		ID 3100.205 RD SD HF BE100	
Description	Roof Drain Bottom Exit		
Model Number	3100.205 RD SD HF BE100		
Drain Type	100 mm Round		
Inlet Size	100 mm	Outlet Size	100 mm
Grate Drawing			
Drain Drawing			

FLOWLAB

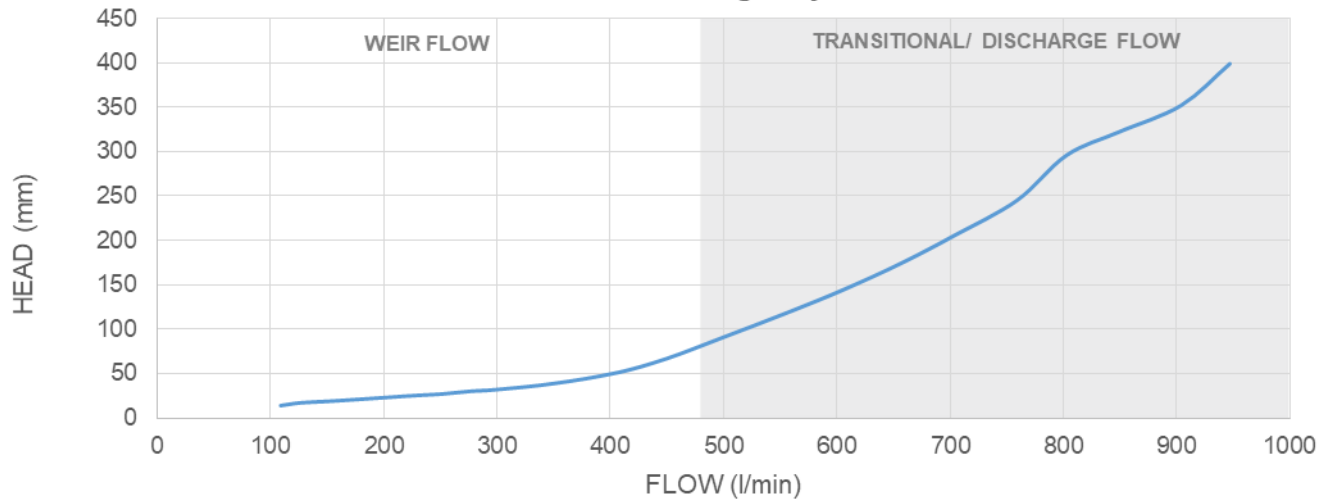
TEST RESULTS for 3100.205 RD SD HF BE100

Flow Characteristic Curve

Test Number : 1001.1

ID 3100.205 RD SD HF BE100

Flow Characteristic Curve for Roof Drain 100mm
Aquaknight Code: 3100.205
Condition: Fitting Only



Maximum Weir Flow

Flow at 250 mm HEAD

Flow at 400 mm HEAD

480

760

950



Maximum Weir Flow 480 l/m @ 87 mm HEAD

Observation Comments:

Weir Flow Conditions: Pulsing frequency rings radiating from outer dome starting at 150 l/min, 19mm.

Spiral Vortex Conditions: Vortex forms at 150 l/min, 87mm.

Fixed Vortex Conditions: Fixed Vortex from 760 l/m, 245mm, through to 800 l/min, 296mm.

Discharge Conditions: No Discharge event observed.