

## Specifications



Stainless Lid 1000.201



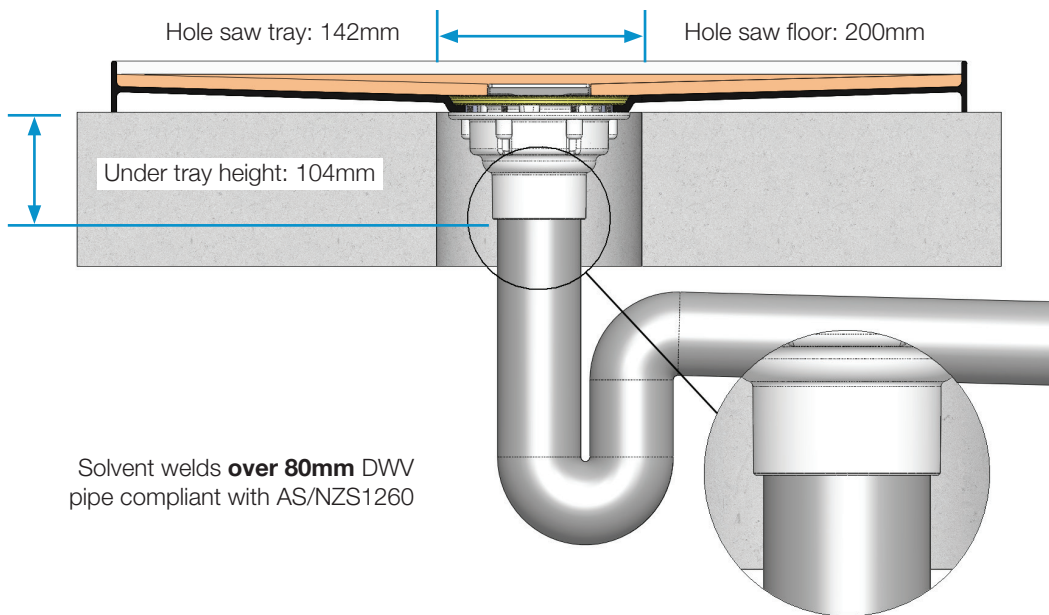
Tile Insert 1000.202

Flow rate ..... 80-140 l/min

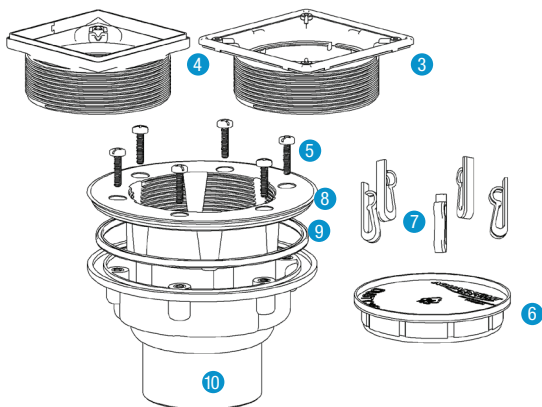
Water seal ..... None

Inlet size ..... 100mm

Outlet size ..... 80mm



Solvent welds **over 80mm** DWV pipe compliant with AS/NZS1260



## Spare Parts Ordering Codes

All spare parts are NON-RETURNABLE, please ensure that correct part has been ordered  
Turn to page 25

Stainless Lid TT SL HF BE80s ..... 1000.201  
Tile Insert TT TI HF BE80s ..... 1000.202

1.Lid Assembly SL HF ..... 1001.251  
2.Lid Assembly TI HF ..... 1001.261  
3.SL Tiling Flange Assembly ..... 1001.231  
4.TI Tiling Flange Assembly ..... 1001.232  
5.TT Clamp Ring Screw Kit ..... 1001.711  
6.TT Dust Cap ..... 1001.401  
7.Glue Clips ..... 1001.699  
8.TT Clamp Ring ..... 1001.621  
9.TT Lower Seal ..... 1001.601  
10.TT HF BE80s Body ..... 1001.191