

## Specifications



Stainless Lid 1000.181



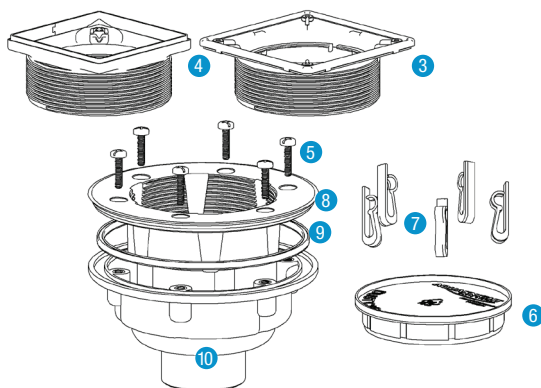
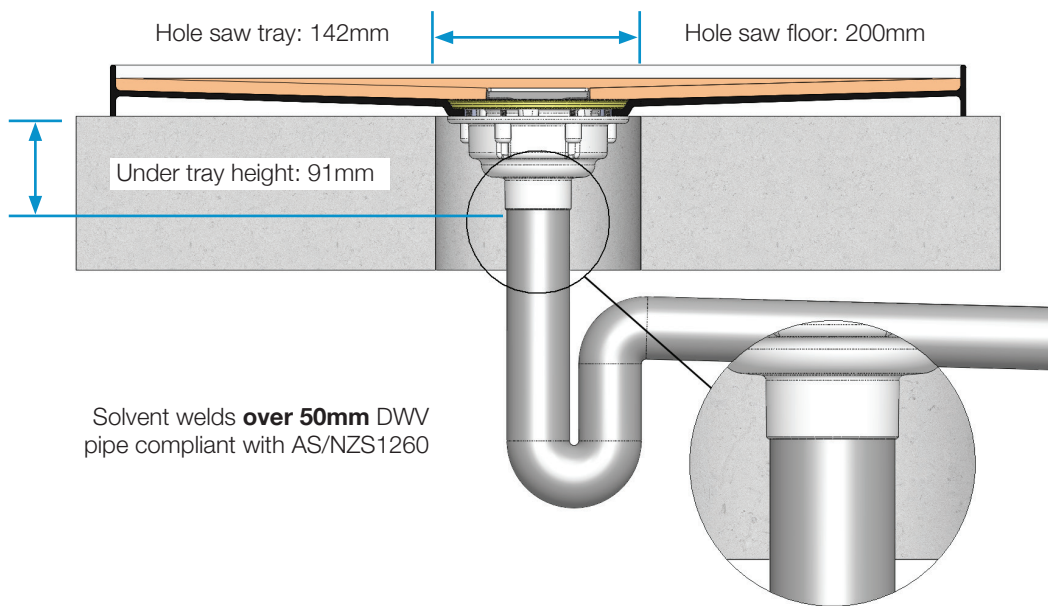
Tile Insert 1000.182

Flow rate ..... 80-140 l/min

Water seal ..... None

Inlet size ..... 100mm

Outlet size ..... 50mm



### Spare Parts Ordering Codes

All spare parts are NON-RETURNABLE, please ensure that correct part has been ordered  
Turn to page 24

Stainless Lid TT SL HF BE50s ..... 1000.181  
Tile Insert TT TI HF BE50s..... 1000.182

1.Lid Assembly SL HF ..... 1001.251  
2.Lid Assembly TI HF ..... 1001.261  
3.SL Tiling Flange Assembly ..... 1001.231  
4.TI Tiling Flange Assembly ..... 1001.232  
5.TT Clamp Ring Screw Kit ..... 1001.711  
6.TT Dust Cap ..... 1001.401  
7.Glue Clips ..... 1001.699  
8.TT Clamp Ring ..... 1001.621  
9.TT Lower Seal ..... 1001.601  
10.TT HF BE50s Body ..... 1001.171