

Specifications



Stainless Lid 1000.211



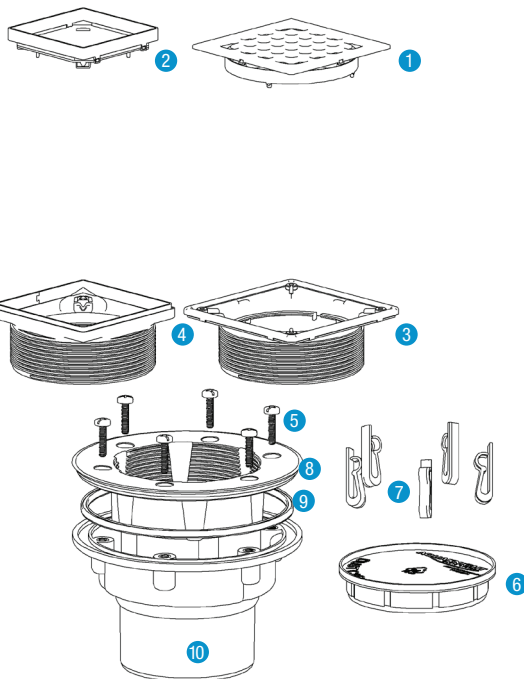
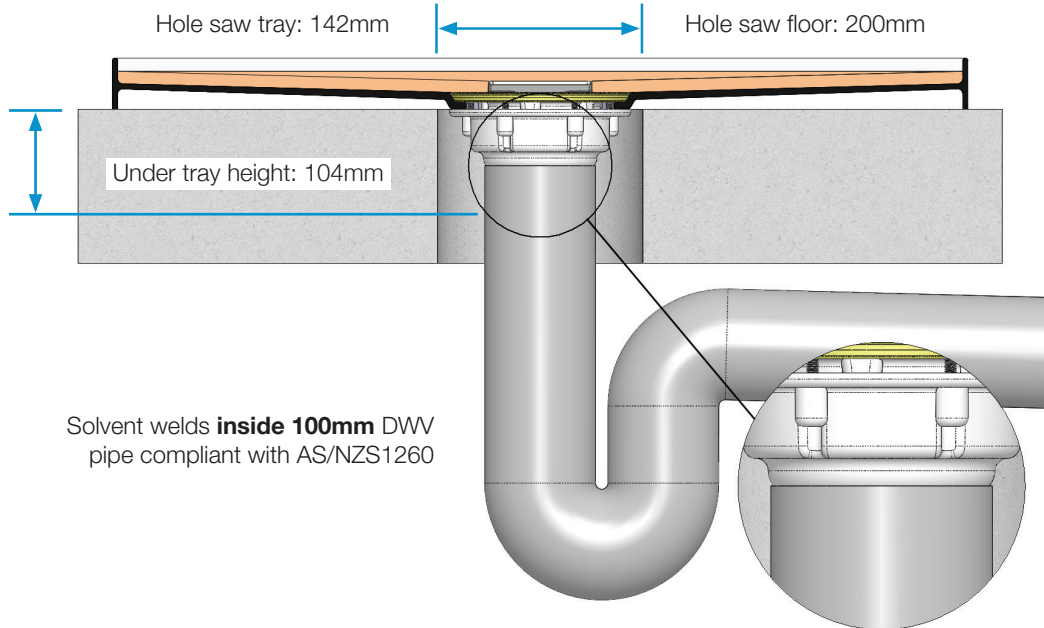
Tile Insert 1000.212

Flow rate 80-140 l/min

Water seal None

Inlet size 100mm

Outlet size 100mm



Spare Parts Ordering Codes

All spare parts are NON-RETURNABLE, please ensure that correct part has been ordered
Turn to page 25

Stainless Lid TT SL HF BE100i 1000.211
Tile Insert TT TI HF BE100i 1000.212

- 1.Lid Assembly SL HF 1001.251
- 2.Lid Assembly TI HF 1001.261
- 3.SL Tiling Flange Assembly 1001.231
- 4.TI Tiling Flange Assembly 1001.232
- 5.TT Clamp Ring Screw Kit 1001.711
- 6.TT Dust Cap 1001.401
- 7.Glue Clips 1001.699
- 8.TT Clamp Ring 1001.621
- 9.TT Lower Seal 1001.601
- 10.TT BE100i Body 1001.151