

Specifications

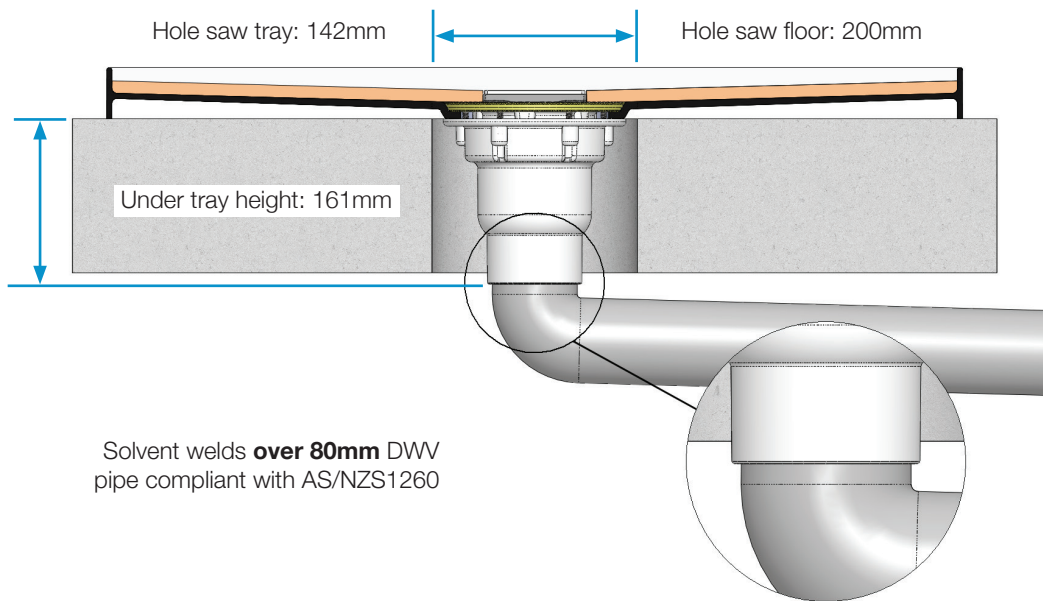


Stainless Lid 1000.141

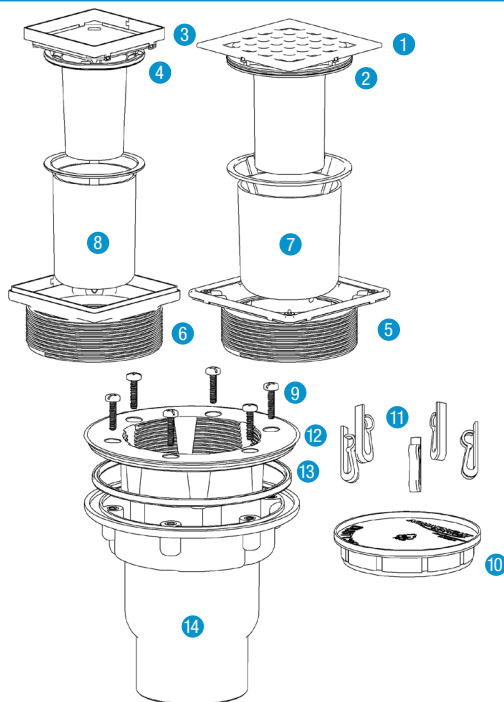


Tile Insert 1000.142

Flow rate ..... 60-90 l/min  
 Water seal ..... 75mm  
 Inlet size ..... 100mm  
 Outlet size ..... 80mm



Solvent welds **over 80mm** DWV pipe compliant with AS/NZS1260



**Spare Parts Ordering Codes**

All spare parts are NON-RETURNABLE, please ensure that correct part has been ordered  
 Turn to page 22

Stainless Lid TT SL EC BE80s .....	1000.141
Tile Insert TT TI EC BE80s .....	1000.142
1.Lid Assembly SL EC .....	1001.241
2.Lid Assembly SL EC Seal .....	1001.821
3.Lid Assembly TI EC .....	1001.260
4.Lid Assembly 40mm Seal .....	0200.218
5.SL Tiling Flange Assembly .....	1001.231
6.TI Tiling Flange Assembly .....	1001.232
7.SL EC Cup .....	1001.671
8.TI EC Cup .....	0200.228
9.TT Clamp Ring Screw Kit .....	1001.711
10.TT Dust Cap .....	1001.401
11.Glue Clips .....	1001.699
12.TT Clamp Ring .....	1001.621
13.TT Lower Seal .....	1001.601
14.TT EC BE80s Body .....	1001.141