

TILEABLE TRAY SYSTEMS Leak Return Port Body • EasyClean • Bottom Exit 50mm s

Specifications



Stainless Lid 1000.121



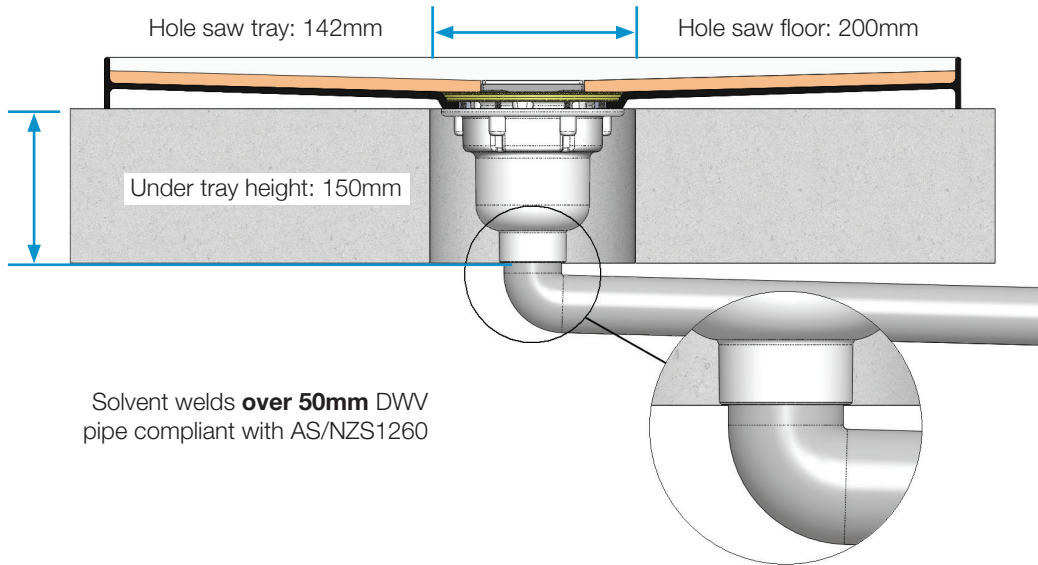
Tile Insert 1000.122

Flow rate 60-90 l/min

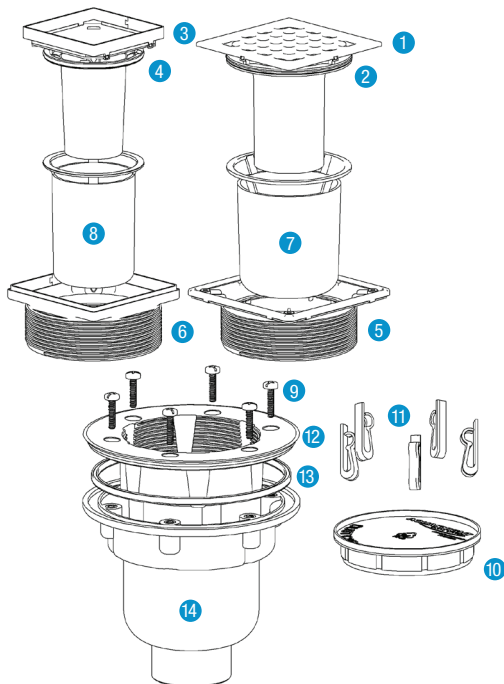
Water seal 75mm

Inlet size 100mm

Outlet size 50mm



Solvent welds **over 50mm** DWV pipe compliant with AS/NZS1260



Spare Parts Ordering Codes

All spare parts are NON-RETURNABLE, please ensure that correct part has been ordered
Turn to page 21

Stainless Lid TT SL EC BE50s	1000.121
Tile Insert TT TI EC BE50s	1000.122
1.Lid Assembly SL EC	1001.241
2.Lid Assembly SL EC Seal	1001.821
3.Lid Assembly TI EC	1001.260
4.Lid Assembly 40mm Seal	0200.218
5.SL Tiling Flange Assembly	1001.231
6.TI Tiling Flange Assembly	1001.232
7.SL EC Cup	1001.671
8.TI EC Cup	0200.228
9.TT Clamp Ring Screw Kit	1001.711
10.TT Dust Cap	1001.401
11.Glue Clips	1001.699
12.TT Clamp Ring	1001.621
13.TT Lower Seal	1001.601
14.TT EC BE50s Body	1001.121