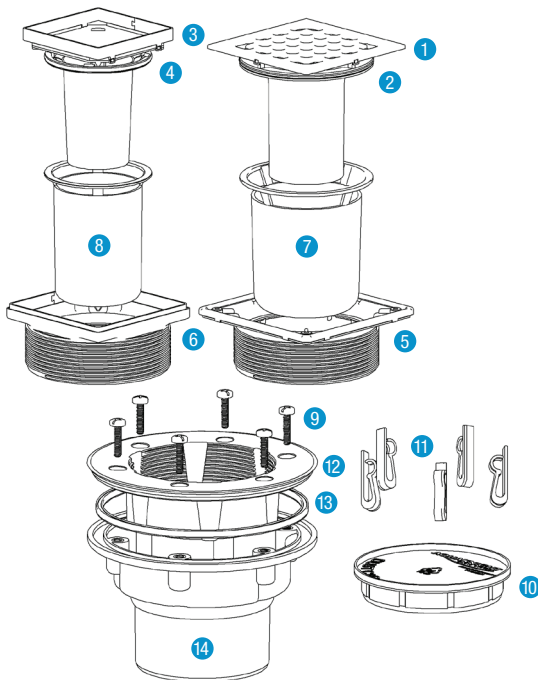
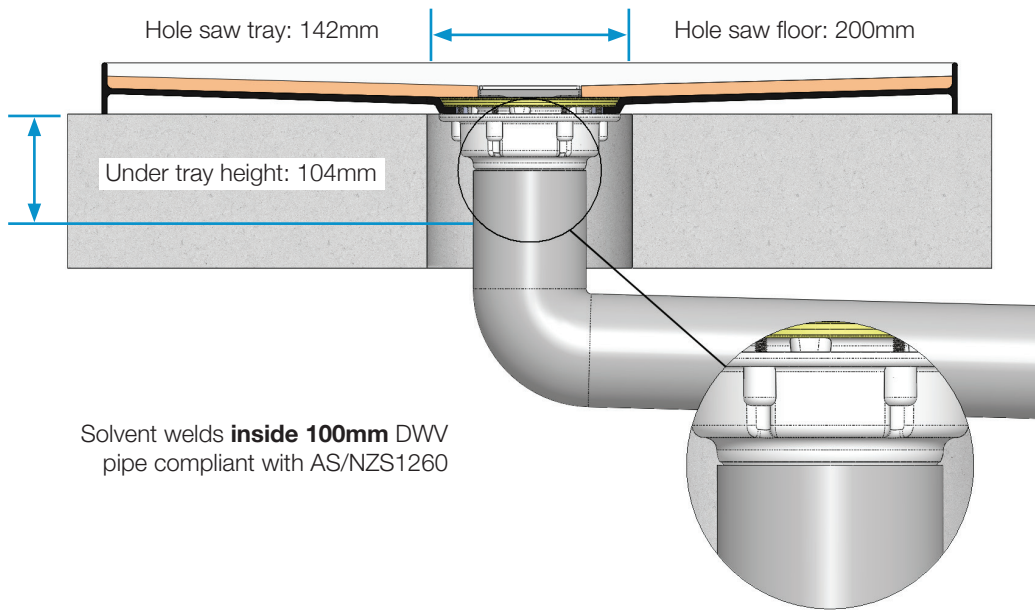


Specifications



Stainless Lid 1000.151 Tile Insert 1000.152

Flow rate 80-140 l/min
 Water seal 75mm
 Inlet size 100mm
 Outlet size 100mm



Spare Parts Ordering Codes

All spare parts are NON-RETURNABLE, please ensure that correct part has been ordered
 Turn to page 22

| | |
|------------------------------------|----------|
| Stainless Lid TT SL EC BE100i..... | 1000.151 |
| Tile Insert TT TI EC BE100i | 1000.152 |
| 1.Lid Assembly SL EC | 1001.241 |
| 2.Lid Assembly SL EC Seal | 1001.821 |
| 3.Lid Assembly TI EC | 1001.260 |
| 4.Lid Assembly 40mm Seal | 0200.218 |
| 5.SL Tiling Flange Assembly | 1001.231 |
| 6.TI Tiling Flange Assembly | 1001.232 |
| 7.SL EC Cup | 1001.671 |
| 8.TI EC Cup | 0200.228 |
| 9.TT Clamp Ring Screw Kit | 1001.711 |
| 10.TT Dust Cap | 1001.401 |
| 11.Glue Clips | 1001.699 |
| 12.TT Clamp Ring | 1001.621 |
| 13.TT Lower Seal | 1001.601 |
| 14.TT BE100i Body | 1001.151 |