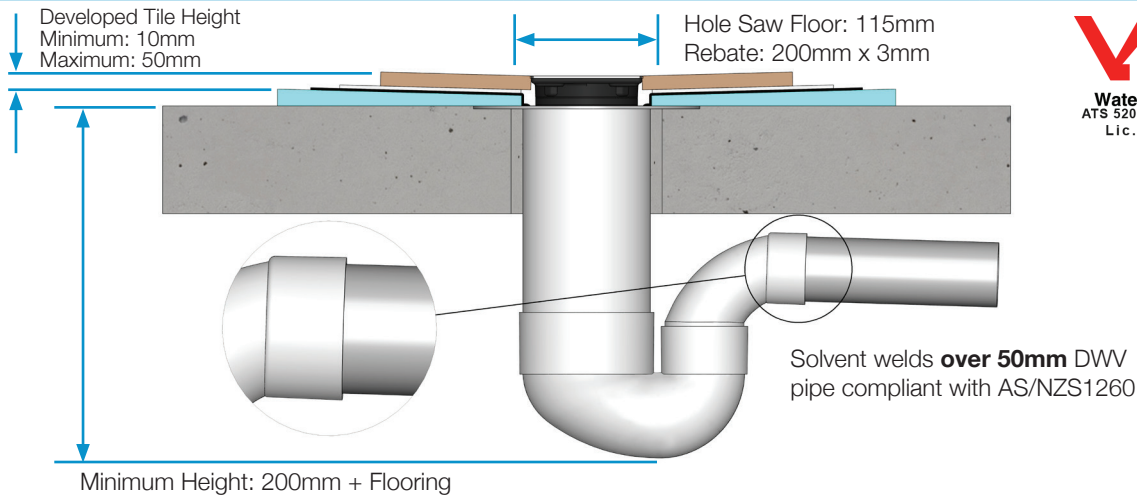


Specifications



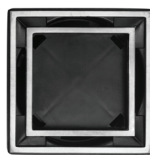
Flow rate 40-60 l/min
 Water seal 75mm
 Inlet size 100mm
 Outlet size 50mm
 (Solvent welds over 50mm DWV pipe compliant with AS/NZS1260)



Product Codes



Stainless Brushed Lid
 LM SB FWG 100x50
 4000.161



Tile Insert Lid
 LM TI FWG 100x50
 4000.162

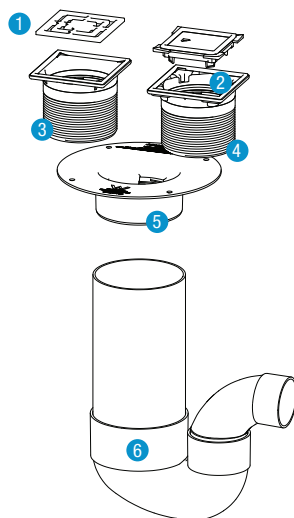
Packaged Product



Available in this packaging

Spare Parts Codes

All spare parts are NON-RETURNABLE, please ensure that correct part has been ordered



- Stainless Brushed LM SB FWG 100x50 4000.161
- Tile Insert LM TI FWG 100x50 4000.162
- 1.TF Solid Lid SS 4001.411
- 2.TI Inner Tray Lid Assembly HF 4101.301
- 3.SL Outer Tiling Flange 4101.304
- 4.TI Outer Tiling Flange 4101.303
- 5.TF 100 Threaded 4001.103
- 6.FWG 100x50/Riser 4500.203