

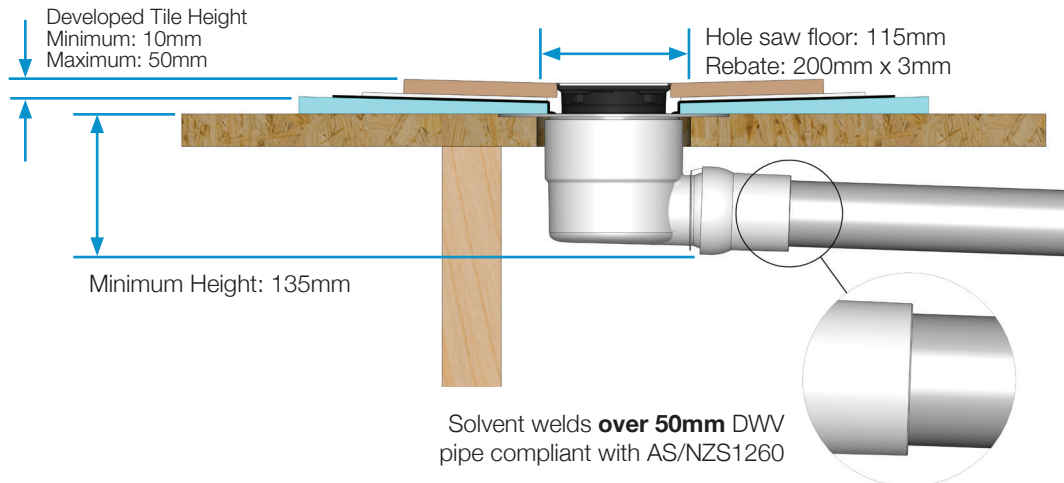
TILED SHOWER WASTE KIT

Sub-Tile Return • EasyClean • Side Exit 50mm

Specifications



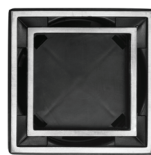
Flow rate 30-40 l/min
 Water seal 75mm
 Inlet size 100mm
 Outlet size 50mm
 (Solvent welds over 50mm DWV pipe compliant with AS/NZS1260)



Product Codes



Stainless Brushed Lid
 LM SB EC SE50
 4000.101



Tile Insert Lid
 LM TI EC SE50
 4000.102

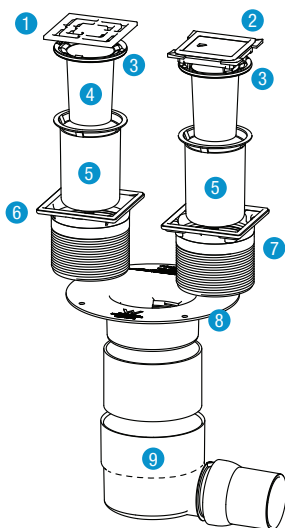
Packaged Product



Available in this packaging

Spare Parts Codes

All spare parts are NON-RETURNABLE, please ensure that correct part has been ordered



- Stainless Brushed LM SB EC SE50s 4000.101
- Tile Insert LM TI EC SE50s 4000.102
- 1.TF Solid Lid SS 4001.411
- 2.TI Inner Tray Lid ass EC 4101.302
- 3.Lid Assembly 40mm Seal 0200.218
- 4.EC Strainer 40mm..... 0200.230
- 5.EC Cup 40mm 0200.228
- 6.SL Outer Tiling Flange 4101.304
- 7.TI Outer Tiling Flange 4101.303
- 8.TF 100 Threaded 4001.103
- 9.LM 100 SE50 Body Assembly 4200.301