

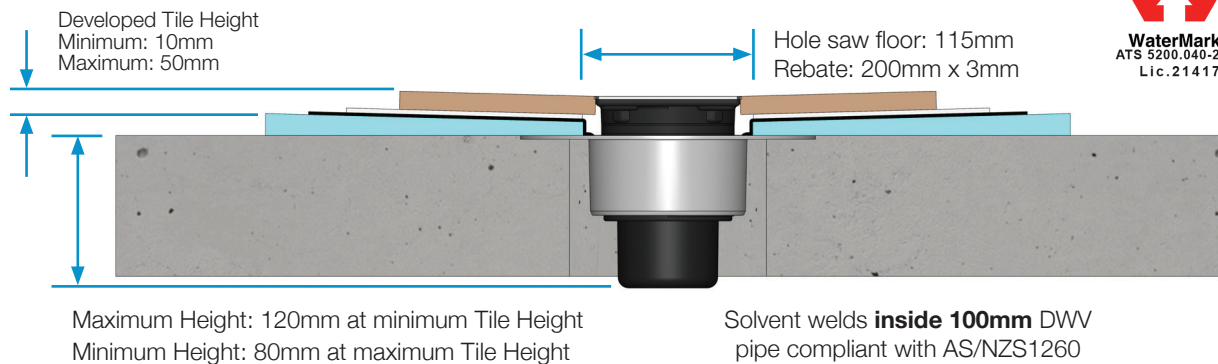
# TILED SHOWER WASTE KIT

Sub-Tile Return • EasyClean • Bottom Exit 100mm

## Specifications



Flow rate ..... 30-40 l/min  
 Water seal ..... 75mm  
 Inlet size ..... 100mm  
 Outlet size ..... 100mm  
 (Solvent welds inside 100mm DWV pipe compliant with AS/NZS1260)

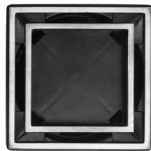


## Product Codes

## Packaged Product



Stainless Brushed Lid  
 LM SB EC BE100i  
 4000.141



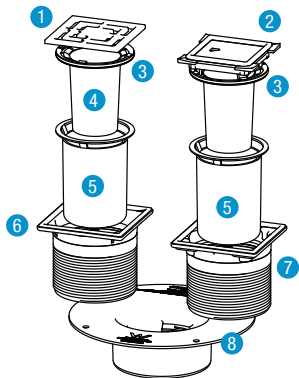
Tile Insert Lid  
 LM TI EC BE100i  
 4000.142



Available in this packaging

## Spare Parts Codes

All spare parts are NON-RETURNABLE, please ensure that correct part has been ordered



- Stainless Brushed LM SB EC BE100i ..... 4000.141
- Tile Insert LM TI EC BE100i ..... 4000.142
- 1.TF Solid Lid SS ..... 4001.411
- 2.TI Inner Tray Lid Assembly EC ..... 4101.302
- 3.Lid Assembly 40mm Seal ..... 0200.218
- 4.EC Strainer 40mm..... 0200.230
- 5.EC Cup 40mm ..... 0200.228
- 6.SL Outer Tiling Flange ..... 4101.304
- 7.TI Outer Tiling Flange ..... 4101.303
- 8.TF 100 Threaded ..... 4001.103