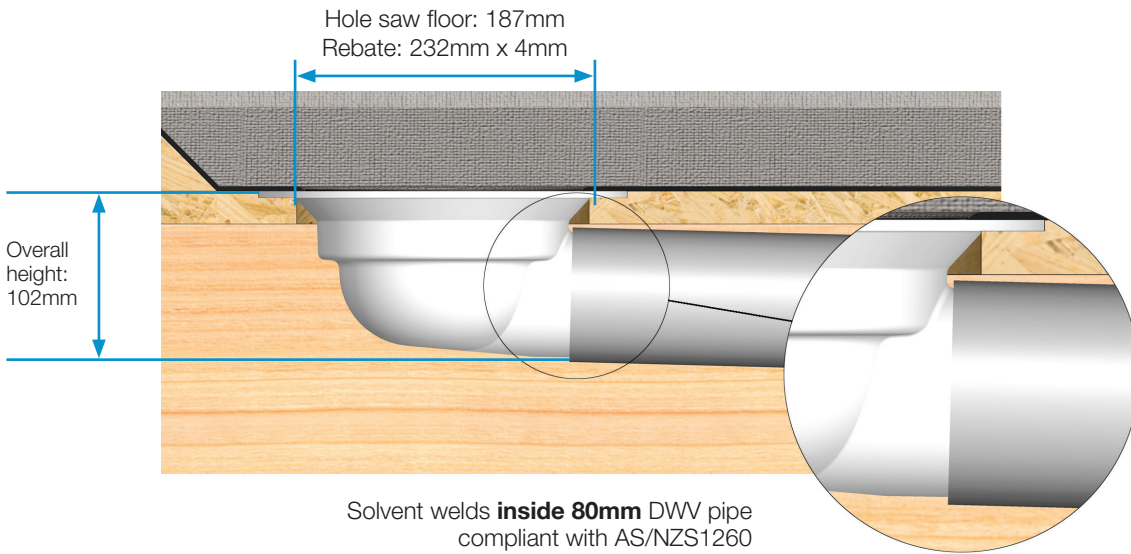


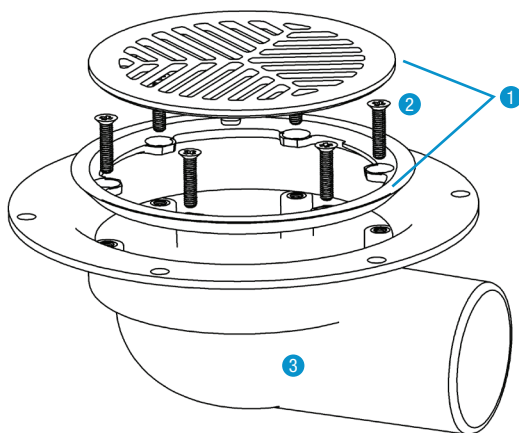
Specifications



Flow rate 465 l/min
 Inlet size 100mm
 Outlet size 80mm



Spare Parts Codes All spare parts are NON-RETURNABLE, please ensure that correct part has been ordered



Stainless Flat DD SF HF SE80i	3100.184
1.DD Grate & Clamp Ringset 100mm	3101.830
2.100mm Clamp Ring Screw 6 Pack	3101.612
3.AX SE80i Body Assembly	1001.133