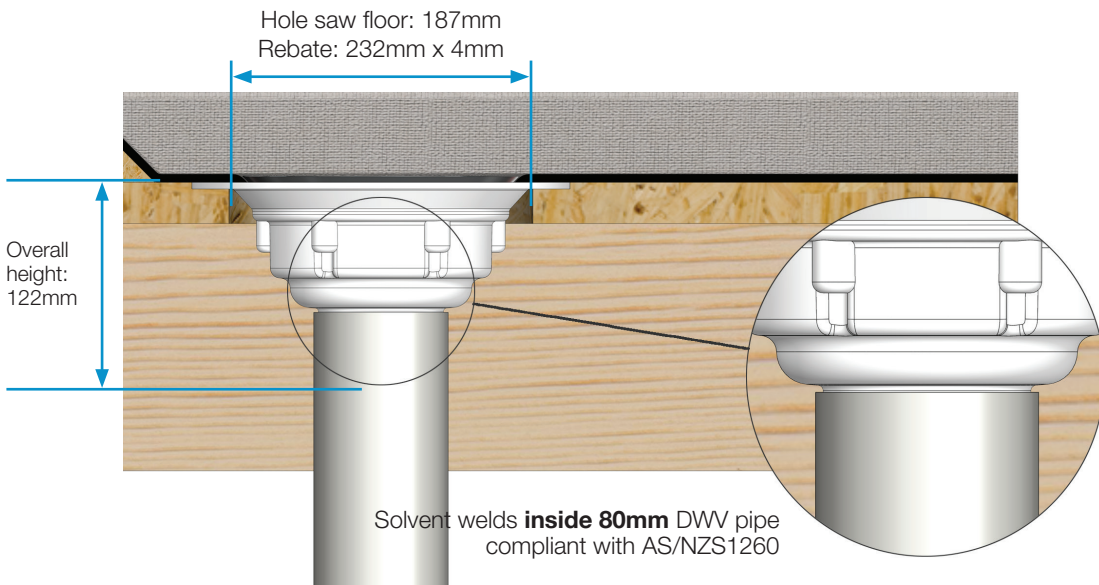


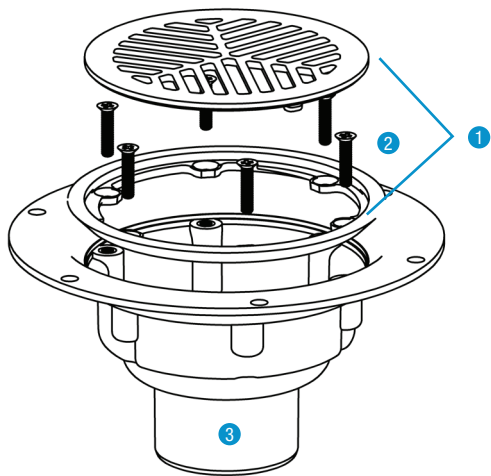
Specifications



Flow rate 500 l/min
 Inlet size 80mm
 Outlet size 80mm



Spare Parts Codes All spare parts are NON-RETURNABLE, please ensure that correct part has been ordered



- Stainless Flat DD SF HF BE80i 3100.194
- 1. DD Grate & Clamp Ringset 100mm 3101.830
- 2. 100mm Clamp Ring Screw 6 Pack 3101.612
- 3. RD Body BE80i 3101.115