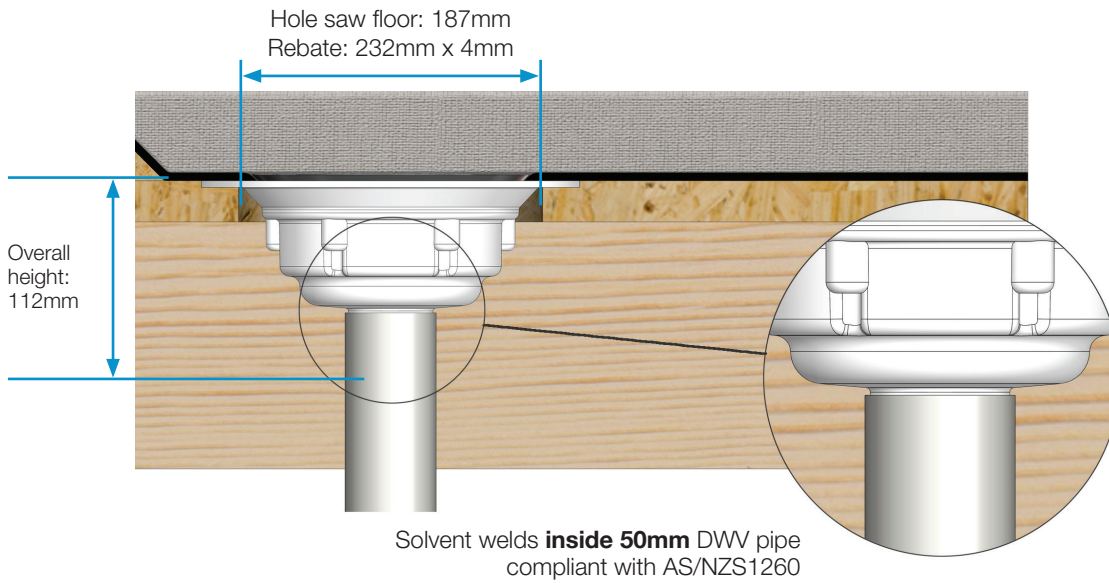


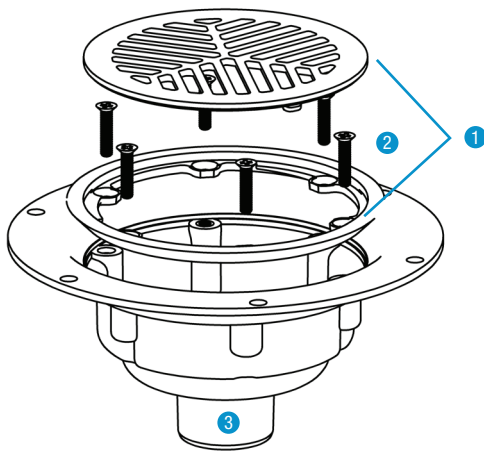
Specifications



Flow rate ..... 290 l/min  
 Inlet size ..... 100mm  
 Outlet size ..... 50mm



Spare Parts Codes All spare parts are NON-RETURNABLE, please ensure that correct part has been ordered



- Stainless Flat DD SF HF BE50i ..... 3100.174
- 1.DD Grate & Clamp Ringset 100mm ..... 3101.830
- 2.100mm Clamp Ring Screw 6 Pack ..... 3101.612
- 3.RD Body BE50i ..... 3101.114