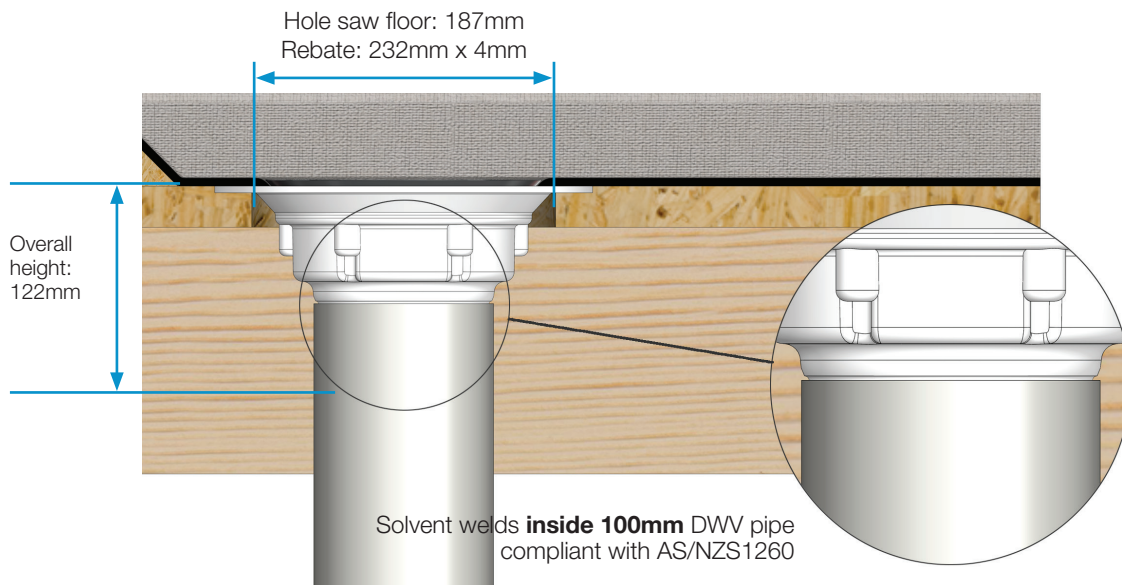


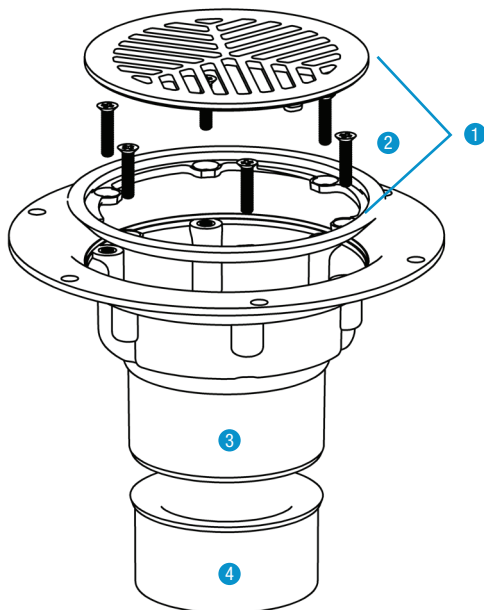
Specifications



Flow rate 500-1,000 l/min
 Inlet size 100mm
 Outlet size100mm



Spare Parts Codes All spare parts are NON-RETURNABLE, please ensure that correct part has been ordered



- Stainless Flat DD SF HF BE100/80i 3100.206
- 1.DD Grate & Clamp Ringset 100mm 3101.830
- 2.100mm Clamp Ring Screw 6 Pack 3101.612
- 3.RD Body BE100i 3101.116
- 4.RD 100/80 Bush 3101.600