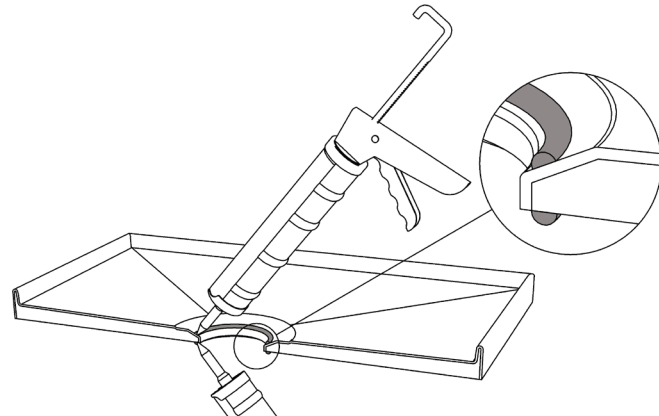


It is the sole responsibility of the installer to ensure a perfect water seal under the inner ring by way of a suitable silicone sealant.



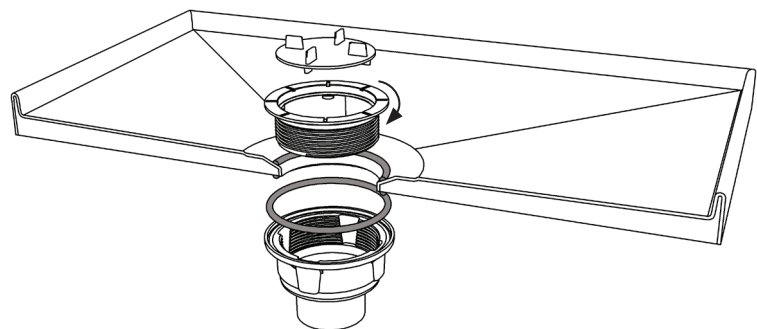
Step 1

Apply a generous bead of silicon sealer around the top and underside of the waste hole.
Aquaknight recommend Sika NG for this area.



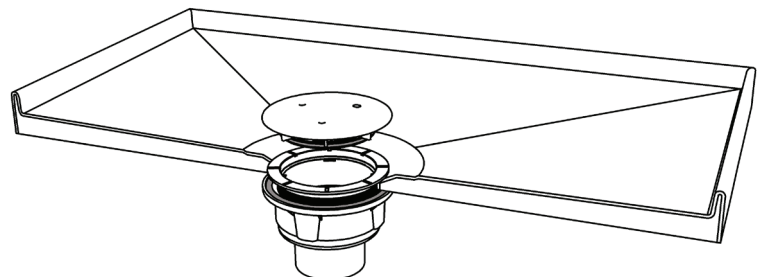
Step 2

Insert the inner ring and screw into body using the key provided.
Hand tighten only (excess tightening may distort the inner ring and void warranty).
Remove excess sealant as per manufacturers instructions.
Remove installation tool.



Step 3

Install inner cup, then lid / strainer assembly.
Rotate while pressing downwards until lugs click into place.



The AquaKnight Industries EasyClean Waste system requires periodic cleaning in order to remove any hair or debris which may accumulate over the course of normal operation. Left unattended this build-up may eventually restrict flow.

**DO NOT USE ABRASIVE CLEANERS.
DO NOT USE SOLVENT BASED CLEANING PRODUCTS.**

There are some cleaners the use of which will void all warranty as they are not suitable for use on A.B.S. Plastics. Substances such as: Acetone, Toluene, Aniline, Ethylene Chloride, Ethylene Acetate, Diethyl Ether, Methy Alcohol, Isopropyl Alcohol and other organic solvents **MUST NEVER BE USED OR ALL WARRANTEES EXPRESSED OR IMPLIED WILL BE VOID.** This includes any cleaning systems or adhesive systems that contain strong solvents.

CLEANING RECOMMENDATIONS

It is recommended after each shower to wipe or wash the walls, tray and waste to prevent the accumulation of soap residues. It is highly recommended that regular cleaning is maintained to prevent the build-up of grime and body fats. This can be achieved by simply using soap and water or any mild domestic detergents available.

RESIDENTIAL

It is recommended that for an average family of 5 showering daily the EasyClean Waste should be cleaned weekly. This may vary due to the amount of hair loss by each user.

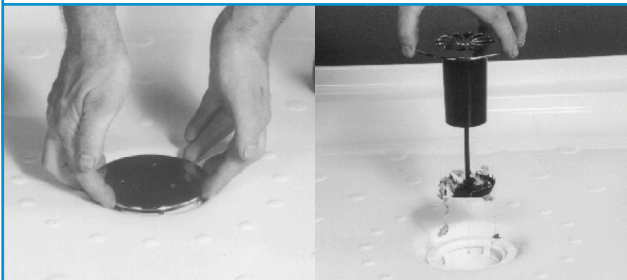
COMMERCIAL

It is recommended that for areas of high use (5+ showers per day, by users with longer than average hair and/or by those experiencing advanced hair loss) cleaning be performed daily.



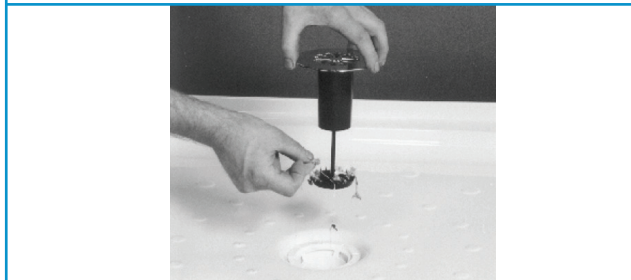
Step 1

Grasp the lid and pull upwards. Withdraw the lid assembly from the shower base.



Step 2

Remove hair and grime from sieve and wash lid assembly in warm water and soap.



Step 3

Remove cup and wash in warm water and soap. Carefully wipe around waste rim.



Step 4

Replace cup and lid assembly. Push down while rotating until lugs 'click' into place. Refill water seal by running shower.

