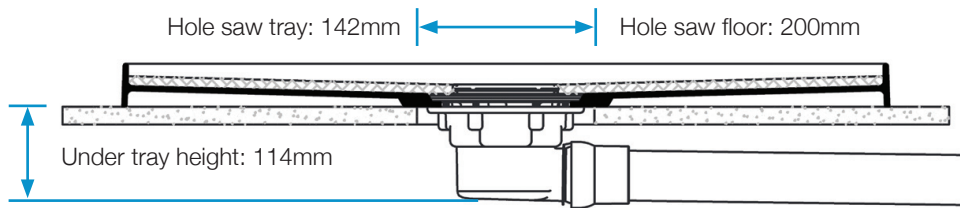



Specifications



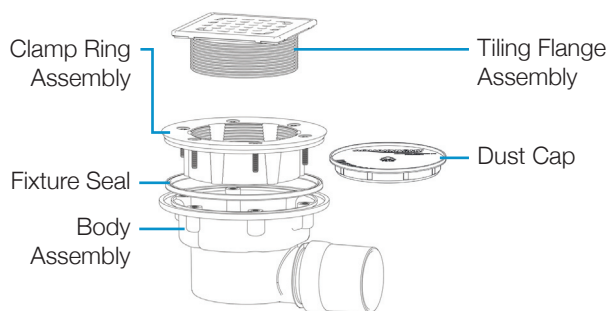
Flow rate 90-100 l/min
 Water seal None
 Inlet size 100mm
 Outlet size 50mm
 (Solvent welds over 50mm DWV pipe compliant with AS/NZS1260)



Product Codes

| | | | |
|---|-------------|-----------------------------|----------|
|  | Bright Lid | TT HF SE50 DB Bright | 1000.133 |
|  | Brushed Lid | TT HF SE50 DB Brushed | 1000.134 |

Spare Parts Codes All spare parts are NON-RETURNABLE, please ensure that correct part has been ordered



| | |
|--------------------------------------|----------|
| TT Tiling Flange HF DB Bright | 1001.223 |
| TT Tiling Flange HF DB Brushed | 1001.224 |
| TT Clamp Ring DB | 1001.644 |
| TT Dust Cap | 1001.40 |
| TT M6 x 25 Screw Kit | 1001.711 |
| TT Fixture Seal DB | 1001.612 |
| TT Body SE50 DB | 1001.112 |