

EasyClean

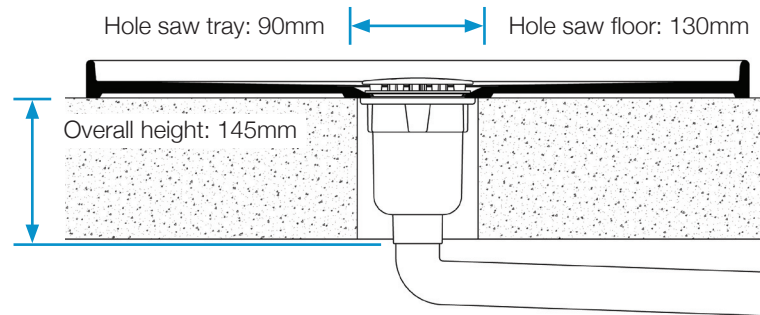
Leak Return Port Body

Bottom Exit 40mm

Specifications



Flow rate 28-32 l/min
 Water seal 75mm
 Inlet size 90mm
 Outlet size 40mm
 (Solvent welds over 40mm DWV pipe compliant with AS/NZS1260)

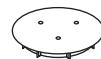


Product Codes



With Flat Lid

	White	LRP FW ECW BE40 0124.01
	Ivory	LRP FI ECW BE40 0124.02
	Chrome	LRP FC ECW BE40 0124.03
	Gold	LRP FG ECW BE40 0124.04
	Matt Chrome	LRP FMC ECW BE40 0124.05

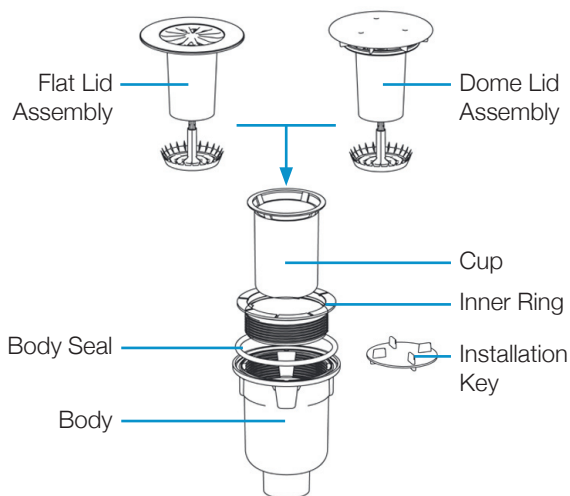


With Dome Lid

	White	LRP DW ECW BE40 0124.11
	Ivory	LRP DI ECW BE40 0124.12
	Chrome	LRP DC ECW BE40 0124.13
	Gold	LRP DG ECW BE40 0124.14
	Matt Chrome	LRP DMC ECW BE40 ... 0124.15

Spare Parts Codes

All spare parts are NON-RETURNABLE, please ensure that correct part has been ordered



Lid Assembly EasyClean Flat White	0180.01
Lid Assembly EasyClean Flat Ivory	0180.02
Lid Assembly EasyClean Flat Chrome	0180.03
Lid Assembly EasyClean Flat Gold	0180.04
Lid Assembly EasyClean Flat Matt Chrome	0180.05
Lid Assembly EasyClean Dome White	0180.11
Lid Assembly EasyClean Dome Ivory	0180.12
Lid Assembly EasyClean Dome Chrome	0180.13
Lid Assembly EasyClean Dome Gold	0180.14
Lid Assembly EasyClean Dome Matt Chrome	0180.15
Inner Ring	0200.226
Body Seal	0200.202
Cup	0200.228
Body ECW LRP BE40	0200.108
Installation Key	0200.229