

HiFlow

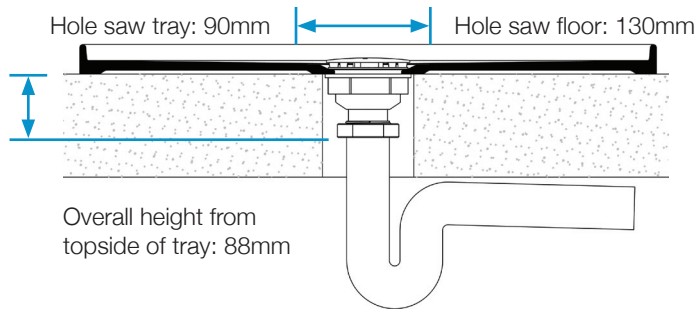
Standard Nut Style Body

Bottom Exit 50mm

Specifications



Flow rate 33-44 l/min
 Water seal None
 Inlet size 90mm
 Outlet size 50mm
 (Standard threaded compression fitting)



Product Codes



With Flat Lid

	White	STD FW HF BE50	0505.01
	Ivory	STD FI HF BE50	0505.02
	Chrome	STD FC HF BE50	0505.03
	Gold	STD FG HF BE50	0505.04
	Matt Chrome	STD FMC HF BE50	0505.05

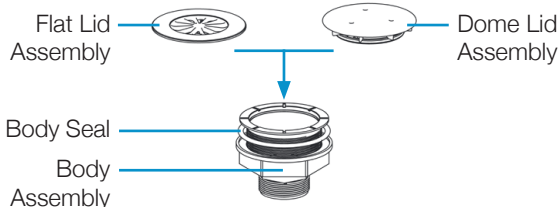


With Dome Lid

	White	STD DW HF BE50	0505.11
	Ivory	STD DI HF BE50	0505.12
	Chrome	STD DC HF BE50	0505.13
	Gold	STD DG HF BE50	0505.14
	Matt Chrome	STD DMC HF BE50	0505.15

Spare Parts Codes

All spare parts are NON-RETURNABLE, please ensure that correct part has been ordered



Lid Assembly HiFlow Flat White	0580.01
Lid Assembly HiFlow Flat Ivory	0580.02
Lid Assembly HiFlow Flat Chrome	0580.03
Lid Assembly HiFlow Flat Gold	0580.04
Lid Assembly HiFlow Flat Matt Chrome	0580.05
Lid Assembly HiFlow Dome White	0580.11
Lid Assembly HiFlow Dome Ivory	0580.12
Lid Assembly HiFlow Dome Chrome	0580.13
Lid Assembly HiFlow Dome Gold	0580.14
Lid Assembly HiFlow Dome Matt Chrome	0580.15
Body Seal	0200.202
Body Assembly STD BE50	0200.505