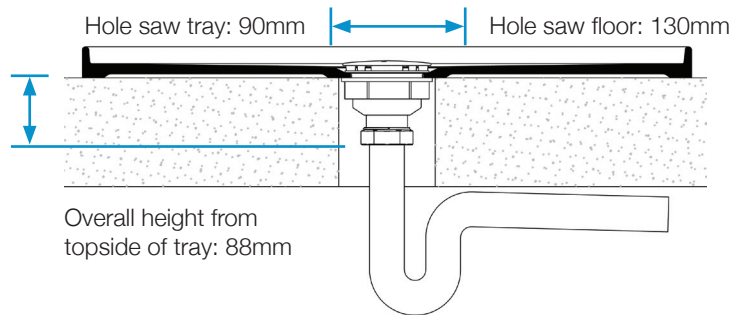


Specifications



Flow rate 33-44 l/min
 Water seal None
 Inlet size 90mm
 Outlet size 40mm
 (Standard threaded compression fitting)

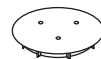


Product Codes



With Flat Lid

	White	STD FW HF BE40	0504.01
	Ivory	STD FI HF BE40	0504.02
	Chrome	STD FC HF BE40	0504.03
	Gold	STD FG HF BE40	0504.04
	Matt Chrome	STD FMC HF BE40	0504.05

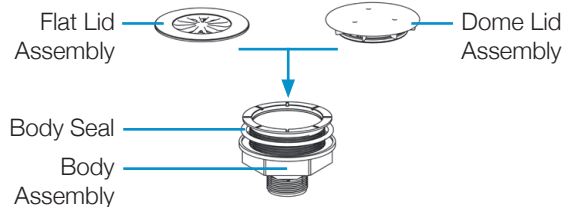


With Dome Lid

	White	STD DW HF BE40	0504.11
	Ivory	STD DI HF BE40	0504.12
	Chrome	STD DC HF BE40	0504.13
	Gold	STD DG HF BE40	0504.14
	Matt Chrome	STD DMC HF BE40	0504.15

Spare Parts Codes

All spare parts are NON-RETURNABLE, please ensure that correct part has been ordered



Lid Assembly HiFlow Flat White	0580.01
Lid Assembly HiFlow Flat Ivory	0580.02
Lid Assembly HiFlow Flat Chrome	0580.03
Lid Assembly HiFlow Flat Gold	0580.04
Lid Assembly HiFlow Flat Matt Chrome	0580.05
Lid Assembly HiFlow Dome White	0580.11
Lid Assembly HiFlow Dome Ivory	0580.12
Lid Assembly HiFlow Dome Chrome	0580.13
Lid Assembly HiFlow Dome Gold	0580.14
Lid Assembly HiFlow Dome Matt Chrome	0580.15
Body Seal	0200.202
Body Assembly STD BE40	0200.504